



भारतीय मानक ब्यूरो
BUREAU OF INDIAN STANDARDS

Tender Document for Supply, Installation and Commissioning of Test Equipment for Impact Absorption Test (as per clause 7.2 of IS 4151:2015)
संघात अवशोषण टेस्ट के लिए टेस्ट उपकरण की आपूर्ति, स्थापना और कमीशन के लिए निविदा दस्तावेज (as per clause 7.2 of IS 4151:2015)

(निविदा सन्दर्भ सं०/Tender Reference No.: CL/Purchase/04(IATE)-01)

द्वारा आमंत्रित:
INVITED BY:

प्रमुख (केंद्रीय प्रयोगशाला)
भारतीय मानक ब्यूरो
केन्द्रीय प्रयोगशाला, (कें. प्र.)
20/9, साईट IV, साहिबाबाद इंडस्ट्रियल एरिया,
साहिबाबाद – 201010
फोन: 0120-4177100, 4177102
मेल आईडी: cl@bis.gov.in

INVITED BY:
Head, CL
BUREAU OF INDIAN STANDARDS
Central Laboratory (CL)
20/9, Site-IV
Sahibabad Industrial Area,
Sahibabad-201010, Ghaziabad (UP)
Ph: 0120-4177100, 4177102
mail id: cl@bis.gov.in

सूचकांक
INDEX

	सामग्री CONTENT	PAGE No.	पृष्ठ
	निविदा सूचना Tender Notice	4 – 6	4 – 6
	निविदा दस्तावेज़ TENDER DOCUMENT		
भाग -1 PART-I	तकनीकी बोली TECHNICAL BID	7	38
क A	पूर्व योग्यता मानदंड Pre-Qualification Criteria	7	38
	पी क्यू सी के लिए चेक सूची Check list for PQC	8	39 – 40
ख B	बोलीदाताओं के लिए निर्देश Instructions to bidders	9 – 11	41 – 43
ग C	खरीदार और बोलीदाताओं द्वारा उपयोग करने के लिए अन्य मानक फार्म (तकनीकी बोली के साथ प्रस्तुत किया जाना) Other standard forms to be utilized by the purchaser and the bidders (to be submitted along with the Technical Bid)	12	44
अनुबंध- 1 Annexure-1	बोलीदाताओं द्वारा प्रस्तुत विवरण Details to be furnished by Bidders	13	45
अनुबंध-2 Annexure-2	निविदा दस्तावेज के अनुच्छेद से विचलन के बारे में बयान Statement regarding the deviations from the clauses of the tender document	14	46
अनुबंध-3 Annexure-3	तकनीकी विशिष्टता Technical Specification	15 – 18 & 65 – 74	47 – 49 & 65 – 74
अनुबंध- 4 Annexure-4	तकनीकी अनुपालन वक्तव्य Technical Compliance Statement by the bidder	19 – 23	50 – 54
भाग -II PART-II	वित्तीय बोली Financial Bid	24	55

भाग –III Part-III	अनुबंध की शर्तें Conditions of Contract	25 – 31	56 – 61
अनुबंध- 5 Annexure-5	बैंक गारंटी बांड का फार्म Form of Bank Guarantee Bond	32 – 33	62 – 63
अनुबंध-6 Annexure-6	अनुबंध प्रपत्र / करार Contract Form/ Agreement	34	64
	Instructions for Online Bid Submission ऑनलाइन बोली सबमिशन के लिए निर्देश	35-37	35-37

निविदासूचना

TENDER NOTICE

भारतीय मानक ब्यूरो, केन्द्रीय प्रयोगशाला (कें. प्र.), साहिबाबाद इस निविदा में परिभाषित कार्य के लिए वास्तविक अनुभवी निर्माताओं / आपूर्तिकर्ताओं से दोबोली प्रणाली (तकनीकी बोली और वित्तीय बोली) के तहत, ऑनलाइन बोलियां आमंत्रित करता है। निविदा का विवरण नीचे दिया गया है।

Bureau of Indian Standards, Central Laboratory (CL), Sahibabad invites online bids, under two **bid systems (Technical bid and Financial bid)** from bonafide experienced Manufacturers/Suppliers/ Dealers / Agencies/ Direct Importers for the job defined in this tender, as per details given below:

<p>विवरण DESCRIPTION</p>	<p>संचात अवशोषण टेस्ट के लिए टेस्ट उपकरण की आपूर्ति, स्थापना और कमीशन के लिए निविदा दस्तावेज</p> <p>Tender Document for Supply, Installation and Commissioning of Test Equipment for Impact Absorption Test</p> <p>उपकरणों के तकनीकी विनिर्देश के लिए कृपया अनुलग्नक 3- देखें (Please refer Annex-3 for Technical Specifications of the equipment)</p>
<p>निविदा के प्रकार Type of Tender</p>	<p>खुले ई –निविदा (विश्वीय) Open E-tender (Global)</p>
<p>ईएमडी शुल्क (रुपयों में) EMD Amount (in INR)</p>	<p>Rs. 2,40,000</p>
<p>1. ईएमडी डिमांड ड्राफ्ट या भुगतान आदेश के रूप में प्रस्तुत करें EMD should be submitted in the form of Demand Draft or Pay Order drawn in favour of Bureau of Indian Standards payable at New Delhi.</p> <p>2. ईएमडी छूट श्रेणियाँ: केन्द्रीय क्रय संगठन, राष्ट्रीय लघु उद्योग निगम (एनएसआईसी) या संबंधित मंत्रालय या विभाग द्वारा जारी छूट का वैध प्रमाण पत्र वाले निर्माताओं / आपूर्तिकर्ताओं के लिए EMD exempted categories: Manufacturers/ Suppliers having valid certificate of exemption issued by the Central Purchase Organization, National Small Industries Corporation (NSIC) or the concerned Ministry or Department. Self attested Certificate of Exemption should be attached with the bid.</p> <p>3. ईएमडी जमा करने पर आगे की जानकारी के लिए "बोलीदाताओं के लिए निर्देश" (भाग-I के ख में) भी देखें Please read "Instruction to Bidders" given in B of Part-1(Technical bid) before submission of tender.</p>	
<p>जारी करने वाले प्राधिकारी का पता Address of the issuing Authority</p>	<p>प्रमुख (केन्द्रीय प्रयोगशाला), भारतीय मानक ब्यूरो, केन्द्रीय प्रयोगशाला, 20/9, साईट IV, साहिबाबाद इंडस्ट्रियल एरिया, साहिबाबाद – 201010 Ph. 0120-4177100, 4177102. मेल आईडी cl@bis.gov.in</p> <p>Head (CL), BUREAU OF INDIAN STANDARDS (Central Lab.)20/9, Site – IV, Sahibabad Industrial Area Sahibabad, UP-201010 Ph.0120-4177100, 4177102</p> <p>mail id: cl@bis.gov.in</p>

डाउनलोड और बोली प्रस्तुत प्रारंभ करने की तिथि और समय Download Start & Bid Submission Start Date & Time	05-07-2018 (at 11:00 h)
डाउनलोड और बोली प्रस्तुत करने की अंतिम तिथि और समय Download End & Bid Submission End Date & Time	07-08-2018 (at 15:00 h)
टेक्निकल बिड खोलने की तिथि और समय Technical Bid opening date & Time	08-08-2018 (at 15:30 h)

1. इच्छुक पार्टियां उनकी विधिवत ऑनलाइन निविदा बोली अन्य आवश्यक दस्तावेजों एवं ईएमडी के साथ अधोहस्ताक्षरी को विधिवत रूप में 'निविदा सं **CL/Purchase/04(IATE)-01** की बोली और निविदा की अंतिम तारीख **07-Aug-2018**' के साथ निविदा की नियत तारीख या उससे पहले भेज सकते हैं। इस समय सीमा के बाद प्राप्त बोलियों पर किसी भी स्थिति में विचार नहीं किया जाएगा।

Interested parties may send their online bid complete in all respect with EMD along with other requisite documents to the undersigned duly superscribed as '**Bid for Tender no. CL/Purchase/04(IATE)-01 and due date of the tender**' on or before **07-Aug-2018**. The bids received after this deadline shall not be entertained under any circumstances whatsoever.

- निविदा दस्तावेज (गैरहस्तांतरणीय) भारतीय मानक ब्यूरो वेबसाइट: www.bis.gov.in से निशुल्क डाउनलोड किया जा सकता है।
Tender document (Non-Transferable) can be downloaded free of cost from BIS web site: www.bis.gov.in and <https://eprocure.gov.in/eprocure/app>.
- केवल स्पीड पोस्ट, रजिस्टर्ड पोस्ट के माध्यम से और बॉक्स में व्यक्तिगत माध्यम से जमा की गई बोलियां स्वीकार की जाएंगी।
Bids sent through speed post, registered post and through personal deposit in the box will only be accepted.
- ई-मेल/ फैंक्स / कूरियर/ स्पीड पोस्ट/ रजिस्टर्ड पोस्ट के माध्यम से और बॉक्स में व्यक्तिगत माध्यम से भेजी गई बोली स्वीकार्य नहीं होगी।
Bids sent through e-mail/ fax/ courier/ speed post/registered post and through personal deposit will not be accepted.
- कोई भी शुद्धिपत्र / समयविस्तार / परिशिष्ट केवल हमारी वेबसाइट www.bis.gov.in पर प्रकाशित किया जाएगा।

Any corrigendum/time extension/addendum shall be published only on BIS website: www.bis.gov.in and <https://eprocare.gov.in/eprocare/app>.

- निम्नलिखित पते पर बोली जमा करने की अंतिम तिथि और समय से पहले ईएमडी को डिमांड ड्राफ्ट / वेतन आदेश के रूप में व्यक्तिगत रूप से जमा किया जाना चाहिए।

प्रमुख (केन्द्रीय प्रयोगशाला), भारतीय मानक ब्यूरो, केन्द्रीय प्रयोगशाला,
20/9, साईट IV, साहिबाबाद इंडस्ट्रियल एरिया, साहिबाबाद – 201010

EMD should be deposited physically in the form of Demand Draft/ Pay Order before last date and time of submission of Bid at following address:

Head (CL), BUREAU OF INDIAN STANDARDS

(Central Lab.)20/9, Site – IV, Sahibabad Industrial Area

Sahibabad, UP-201010

2. बीआईएस बिना कोई नोटिस देकर या कारण बताए निविदा दस्तावेज में संशोधन या किसी भी नियमों और शर्तों को निकालने का या किसी एक या सभी बोलियों को अस्वीकार करने का अधिकार सुरक्षित रखता है। इस संबंध में जारी करने वाले प्राधिकारी के निर्णय अंतिम होगा।

BIS reserves the right to amend or withdraw any terms and conditions contained in the tender document or to reject any or all bids without giving any notice or assigning any reason. The decision of issuing authority in this regard shall be final.

Sd-

प्रमुख (केन्द्रीय प्रयोगशाला)

Head (Central Laboratory)

TENDER DOCUMENT

PART-I: TECHNICAL BID

A: PRE-QUALIFICATION CRITERIA (POC)

1. The bidder shall be PSU/ autonomous / public /private limited / Partnership/ Proprietorship / any other firm having been in business in India for the last three calendar years for supply of the same/similar equipment. The documents authenticating the establishment of the firm shall be submitted.
2. The bidder shall have supplied, installed and commissioned at least three such same/ similar equipment in India and one of them should be in the last three years. Additionally, the list of customers shall also be enclosed.
3. The bidder shall enclose copies of purchase orders/letters of satisfaction from buyers or any other document as a proof of supply of same / similar equipment to Govt. or private customers.
4. The bidder shall submit copies of audited balance sheets of last three years.
5. The bidder shall enclose valid proof of tax registrations as applicable to them such as VAT/Sales Tax/ PAN /Service tax /GST or any other registration for taxation purpose (for Indian Bidders). In case of foreign companies, bidders shall enclose valid proof of tax registrations from their own country.
6. The bidder should not have been blacklisted.
7. The bidder should not have earlier withdrawn from any tendering process of BIS.
8. The Bidder shall be willing to provide after sales support through a combination of warranty and comprehensive annual maintenance contract for a period of 6 years as per mutually worked out terms and Conditions.

Note: The bidder shall enclose all requisite documents self attested as specified in the **checklist**. The bidder must fill the checklist enclosed.

Checklist for Pre-Qualification Criteria (POC)

Bidders must fill this check list with a tick (√) in the boxes in the right-hand column. Relevant document, as per the checklist, shall also be enclosed with the technical bid.

S No.	Requirement	Document submitted	Check box
1.	Bidder is	1. Original Equipment Manufacturer 2. Dealer/ agency/ supplier/ Direct Importer	1. <input type="checkbox"/> 2. <input type="checkbox"/>
2.	Bidder is based in	1. India 2. Abroad	1. <input type="checkbox"/> 2. <input type="checkbox"/>
3.	The bidder is a public undertaking/ autonomous body/ public limited / private limited / Proprietorship Company / firm	1. PSU/Autonomous 2. Limited/ Private Limited 3. Proprietary / Partnership firm/LLP 4. Others (specify)	1. <input type="checkbox"/> 2. <input type="checkbox"/> 3. <input type="checkbox"/> 4. <input type="checkbox"/>
4.	Enclose applicable documents of establishment of firm - Certificate of Incorporation - Authorization letter from Principals - Partnership Deed/LLP - Proprietary Details - Others (specify)	1. Yes, details enclosed 2. No, details not enclosed	1. <input type="checkbox"/> 2. <input type="checkbox"/>
5.#	Enclose applicable documents of Tax Registration: - Service Tax - VAT - Sales Tax - PAN - GST - Others (Specify-----)	1. Yes, details enclosed 2. No, details not enclosed	1. <input type="checkbox"/> 2. <input type="checkbox"/>
6	Enclosed statements of turnover per year for last three successive years.	1. Yes, details enclosed 2. No, details not enclosed	1. <input type="checkbox"/> 2. <input type="checkbox"/>
7.	Enclose copies of audited Balance Sheet for last three years	1. Yes, details enclosed 2. No, details not enclosed	1. <input type="checkbox"/> 2. <input type="checkbox"/>
8.	List of customers attached	1. Yes, details enclosed 2. No, details not enclosed	1. <input type="checkbox"/> 2. <input type="checkbox"/>
9.	Enclosed letter of satisfaction from buyers or purchase orders or any other document from customers whom same / similar equipment was supplied.	1. Yes, details enclosed 2. No, details not enclosed	1. <input type="checkbox"/> 2. <input type="checkbox"/>
10	Whether Bidder is willing to provide after sales support through a combination of warranty and comprehensive annual maintenance contract for a period of 6 years as per mutually worked out terms and conditions	1. Yes, willing to provide 2. No, not willing to provide	1. <input type="checkbox"/> 2. <input type="checkbox"/>
11	Whether withdrawn from tendering process of BIS on an earlier occasion	1. Yes 2. No	1. <input type="checkbox"/> 2. <input type="checkbox"/>
12	Whether blacklisted	1. Yes 2. No	1. <input type="checkbox"/> 2. <input type="checkbox"/>
13. ##	Had earlier supplied equipment/ service to BIS	1. Yes 2. No	1. <input type="checkbox"/> 2. <input type="checkbox"/>

- This is for Indian bidders. In case of foreign companies, bidders shall enclose valid proof of tax registrations from their own country.

- This is an additional information.

B: INSTRUCTIONS TO BIDDERS (FOR STRICT COMPLIANCE)

The bidder must go through all the points of Pre-qualification Criteria (PQC), Check-list, Technical Specification (Annexure-3) and Conditions of the Contract (Part 3) and submit the bid **complete in all respect** with regard to specifications, delivery date, financial and all other particulars.

1. The Tender is to be submitted under “**TWO-BID**” system. Viz. **two envelopes** out of which one should contain **Technical bid** and other should contain **Financial bid**. The bid not received on “Two Bids” basis will be summarily rejected.

Contents of Bid Document: The two envelopes (Technical BID and Financial BID) shall contain the following:

Envelope No.1 (Technical Bid):

- (i) Scanned copy of EMD (DD/Pay order amounting Rs 2, 40,000/-) or exemption certificate as indicated in tender document.
- (ii) Scanned copy of Annexure-1
- (iii) Scanned copy of Annexure-2
- (iv) Scanned copy of Annexure-4
- (v) Scanned copy of Checklist for prequalification criteria
- (vi) Scanned copy of Undertaking regarding blacklisting
- (vii) Scanned copy of Certificate of incorporation or other relevant document as indicated in SI no-4 of checklist for prequalification criteria (PQC)
- (viii) Scanned copy of Pan card
- (ix) Scanned copy of GST Registration certificate
- (x) Scanned copy of Audited balance sheet of last 3 years
- (xi) Scanned copy of List of customers along with documentary evidence regarding supply, installation and commissioning as per SI No 2&3 of PQC.
- (xii) Scanned copy of Proof having been in business in India for last three colander years
- (xiii) Scanned copy of Undertaking for SI No-7 of PQC of technical bid.
- (xiv) Scanned copy of Undertaking for SI No-8 of PQC of technical bid.
- (xv) Scanned copy of tender document
- (xvi) Scanned copy of the agency agreement with the foreign principal, if applicable.

Each page of the above document shall be signed by the bidder

Envelope No.2 (Financial Bid):

This envelope shall contain price for the goods to be supplied as per details in Part 2 (Financial Bid). It should be duly filled in uploaded multicurrency BOQ templet.xls.

2. **Earnest Money Deposit (EMD)** amount in the form of Demand Draft / Pay order is to be **furnished and deposited physically as mentioned above**, failing which the offer will be summarily rejected. No interest shall be paid by BIS on the Earnest Money.

The EMD amount will be returned to the unsuccessful Bidders as per the provisions of GFR. It will be returned to the successful Bidder after receipt of the Performance Security.

Forfeiture of EMD: The Bid Security / Earnest Money deposited is liable to be forfeited if the tenderer withdraws or amends or impairs or derogates the offer in any respect within the period of validity of the tender or if the successful Bidder does not pay the Performance Security in the prescribed time limit or fails to sign the Agreement after the award of Contract.

3. **Technical Bids will be opened** on the last date of receipt of tender on the time and date

mentioned in tender notice. Authorized representative of the bidder may remain present at the time of opening of tender.

4. The **Financial bid will be opened** on a date, to be fixed later, for the successful bidders in the technical bid. Authorized representative of the bidder with an authority letter may remain present on the scheduled date and time.
5. **Validity of Bid:** The offer shall remain valid for 180 days from the date of opening of tender.
6. The bid along-with all requisite documents must be **signed and stamped by the authorized person**, failing which the bid shall be liable for rejection.
7. The Head (Central Laboratory), BIS reserves the right to accept or reject any bid or all the bids without assigning any reason thereof.

8. Process to be confidential:

Information relating to the examination, evaluation and comparison of Bids and the award of a Contract shall not be disclosed to Bidders or any other person not officially concerned with such process until the award to the successful Bidder has been announced.

9. Any kind of canvassing in regard to the offered equipment after submitting bid shall be treated as disqualification.
10. Any correction of error on the quotation should be duly authenticated by the person signing the quotation. **There shall be no overwriting.**
11. **Special Conditions:** The Indian Agent, if submitting the quotation on behalf of their Principal (i.e. Foreign Supplier), shall ensure and submit the following:

i) Copy of the Agency Agreement with the foreign Principal.

ii) The firm shall take care of after sales service and requisite spares made available during the lifetime of the equipment, after expiry of the Guarantee / Warranty period, also.

iii) The bank charges for opening of the Letter of Credit outside India are to be borne by the supplier.

12. Rates how to be quoted:

14.1 Cost of the items should be mentioned clearly in uploaded multicurrency BOQ templet.xls. The following details need to be included:

a. Price break-up of main equipment, accessories. Consumables, spares, fixtures (whichever is applicable) to be supplied by the bidder. Please quote unit rate for each item in Indian Rupees/ USD/ EURO (whichever is applicable). The rates quoted shall be on CIF basis (cost insurance and freight) on door delivery basis.

b. Rates quoted should specifically state Sales Tax, Excise Duty, GST or any other taxes/charges, as applicable. In absence of any such stipulation, it will be presumed that the prices include all such taxes/charges and no claim for the same shall be entertained.

c. Please quote your rates, other charges, applicable taxes and duties in the format prescribed in uploaded multicurrency BOQ templet.xls (Please refer Part-II:Financial Bid)

d. The equipment is required to be supported for performance for six years, i.e., three years of warranty plus three years of CAMC (Comprehensive Annual Maintenance Contract). If the warranty offered by the bidder is less than three years, then the bidder shall quote the CAMC charges, year wise, for the remaining period of warranty, plus for fourth, fifth and sixth years. Please refer (B) of **Part-II: Financial Bid**

Financial bid shall be evaluated on the total price quoted, which is a combination of unit price of the equipment and CAMC charges up to six years of operation of equipment. The payment will be made for unit price of the equipment which will cover the warranty period also. The CAMC charges as quoted in the financial bid at (B) of Part -II shall be payable on yearly basis after CAMC starts.

e. Prices shall be quoted in Indian Rupees (INR)/ USD/ EURO (whichever is applicable). In case the rates are quoted in the foreign currency, **the conversion rate to INR (Reserve Bank of India rate) shall be applicable as on the last date of submission of tender.** Evaluation of the financial bid shall be done on the basis of price in INR.

f. BIS pay full CST/GST and neither Form C nor Form D will be provided.

g. The rates quoted shall be **valid for a period of one year** from the date of opening of the financial bid of the tender.

h. The successful bidder is responsible for Packing, Forwarding, Freight & Insurance, Customs Clearance, Delivery at site and Installation, Commissioning and Training of BIS personnel in a satisfactory manner.

i. The Agency Commission to the Indian Clearing Agent will not be paid by the BIS and the same would be borne by the supplier. BIS shall provide Custom Duty Exemption Certificate at the time of Custom Clearance and the supplier has to obtain customs clearance and deliver the goods at specified location (s).

14.2 The bidder is expected to work out his rates keeping in view the technical specifications as per Annexure-3 of Technical bid & conditions mentioned clearly and arrive at the amount to be quoted. The bidder shall be deemed to have satisfied itself before bidding as to the correctness and sufficiency of its bid and of the rates and prices quoted in the attached form for financial bid (Part-II), which rates and prices shall, except as otherwise provided, cover all its obligations under the Tender and all matters and things necessary for proper fulfilling his obligations under the Tender. The financial bid shall clearly indicate all taxes including local taxes, etc. to be paid by the bidder for the goods to be supplied at specified places and any claim for extra payment on any such account shall not be entertained.

14.3 The price quoted by the bidder shall be applicable for the repeat order(s), if repeat orders are placed with the supplier.

However, BIS reserves the right, not to place the repeat order.

13. Execution of Agreement: It shall be incumbent on the successful bidder to execute the Agreement, as per Annexure 6, on a non-judicial stamp paper of Rs. 100.00 at the time of award of contract and pay stamp duty, legal and statutory charges for the Agreement, if any, as applicable on the date of the execution. Please read carefully, the conditions of contract as given in **Part-III: Conditions of contract.**

14. The Tender Notice and Instructions to Bidders shall form part of the Contract.

**C: STANDARD FORMS TO BE UTILIZED BY THE BIS AND
THE BIDDERS.**

- | | |
|---------------|--|
| 1. Annexure-1 | Details to be furnished by the bidders |
| 2. Annexure-2 | Statement regarding the deviations from the clauses of the tender document |
| 3. Annexure-3 | Technical Specification |
| 4. Annexure-4 | Technical compliance statement by the bidder |

Annexure-1

Details to be furnished by the bidders

1. Name of the bidder:
2. Details Registration/Import licence if any with validity date:
3. Address for Communication:
4. Telephone No.:
Landline:
Mobile:
5. E-mail:
6. Manufacturers Name and Address (if different);
7. Bank Account Details:
Name of the bank: A/c no.
IFSC code Type of A/c.....
6. Name and designation of the person authorized to sign the documents:
7. PAN, TIN, GSTIN Number of the bidder:
8. Service Tax Registration No.:
9. Details of EMD
Draft Number: Date:
Name of the Bank: Payable at:

This is to certify that the above facts are true to the best of my/our knowledge and belief. I/We have read and understood the terms and conditions of the Tender document.

I/We give an undertaking to abide by these terms and conditions of the tender document.

Name and Signature of the bidder

Seal of the Bidder

Date

Annexure-2

**Statement regarding the deviations from the clauses
of the tender document:**

S No.	Tender clause no.	Details of deviation	Justification, if any

Annexure-3

Technical Specification of Test Equipment for Impact Absorption Test

Sl. No	Components/ Fixtures/ Accessories/ Spare parts/ CRMs etc.	Requirement
(1)	(2)	(3)
	Test to Be Carried Out	Impact Absorption Test as per cl 7.2 & Annex C of IS 4151:2015. See attached figure 1 & 2.
1.	Base	<ul style="list-style-type: none"> i. The base shall be made of steel or concrete or a combination of these materials and have mass of at least 500 kg. It shall be so constructed that there is no significant deformation of surface under the test load. ii. No part of the base or anvil shall have a resonance frequency liable to affect the measurements.
2.	Anvils	<ul style="list-style-type: none"> i. The flat steel anvil shall have a circular impact face of 130 mm \pm 3 mm diameter. ii. The kerbstone anvil shall have two sides forming an angle of 105° \pm 5°, each of them with a slope of 52.5° \pm 2.5° towards the vertical and meeting along a striking edge with a radius of 15 mm \pm 0.5 mm. The height shall be at least 50 mm and the length not less than 125 mm. The orientation is 45° to the longitudinal vertical plane at Points B, P and R, and 45° to the base plane at Point X (front low, back up) (see attached fig-1).
3.	Free Fall Guidance System	A suitable free fall guided system shall be provided to carry out the testing. A protective cage shall be provided to protect the operator of minimum 2-meter height.
4.	Mobile system and guides	The mobile system supporting the headform shall be such that its characteristics do not affect the measurement of acceleration at the centre of gravity of the headform. It shall also be such that any point in the area ACDEF can be positioned vertically above the centre of the anvil (Refer attached fig 3). The guides shall be such that the impact velocity is not less than 95 percent of the theoretical velocity.
5.	Accelerometer & Measuring Assembly	<ul style="list-style-type: none"> i. A metal headform fitted with a tri-directional accelerometer and a measuring assembly shall be provided. ii. The accelerometer shall be capable of withstanding a maximum acceleration of 2 000 g without damage. Its maximum mass shall be 50 g. The measuring system including the drop assembly shall have a frequency response in accordance with channel frequency class (CFC) 1 000 (see ISO 6487).
6.	Headforms	<p>One metallic headform of each size as mentioned in the Table-1 shall be supplied.</p> <p>i) The headform to be used for the impact absorption test shall be made of a metal of characteristics such that the headform present no resonance frequency below 3 000 Hz. The general characteristics of the test headform shall be used shall be as given in Table 1.</p>

		<p>Table 1 General Characteristics of Test Headforms</p> <table border="1"> <thead> <tr> <th>Sl No.</th> <th>Symbols</th> <th>Size mm</th> <th>Mass kg</th> </tr> <tr> <th>(1)</th> <th>(2)</th> <th>(3)</th> <th>(4)</th> </tr> </thead> <tbody> <tr> <td>i)</td> <td>A</td> <td>500</td> <td>3.1 ± 0.10</td> </tr> <tr> <td>ii)</td> <td>E</td> <td>540</td> <td>4.1 ± 0.12</td> </tr> <tr> <td>iii)</td> <td>J</td> <td>570</td> <td>4.7 ± 0.14</td> </tr> <tr> <td>iv)</td> <td>M</td> <td>600</td> <td>5.6 ± 0.16</td> </tr> <tr> <td>v)</td> <td>O</td> <td>620</td> <td>6.1 ± 0.18</td> </tr> </tbody> </table> <p>ii) The shape of the test headforms shall be:</p> <p>a) Above the reference plane, in conformity with the detailed dimensions of the test headforms shown in Annex-TS-1.</p> <p>b) Below the reference plane, in conformity with the detailed dimensions of the test headforms shown in Annex-TS-2.</p> <p>iii) The centre of gravity of the headform shall be near the Point G on the central vertical axis at 1 mm below the reference plane, as defined in Annex-TS-2. The headform shall contain, near its centre of gravity, a housing for a tri-directional accelerometer.</p>	Sl No.	Symbols	Size mm	Mass kg	(1)	(2)	(3)	(4)	i)	A	500	3.1 ± 0.10	ii)	E	540	4.1 ± 0.12	iii)	J	570	4.7 ± 0.14	iv)	M	600	5.6 ± 0.16	v)	O	620	6.1 ± 0.18
Sl No.	Symbols	Size mm	Mass kg																											
(1)	(2)	(3)	(4)																											
i)	A	500	3.1 ± 0.10																											
ii)	E	540	4.1 ± 0.12																											
iii)	J	570	4.7 ± 0.14																											
iv)	M	600	5.6 ± 0.16																											
v)	O	620	6.1 ± 0.18																											
7.	Procedure	<p>The equipment shall be capable of carrying out the impact absorption test as per the procedure given below covering all the impact points.</p> <p>i) Positioning of the Helmet after Conditioning:</p> <p>a) The helmet shall be positioned in accordance with the requirements of Annex-TS-3 on a headform of appropriate size selected from among those listed in Table-1 when testing impact Points B, X, P, R. The helmet shall then be tipped towards the rear so that the front edge of the helmet in the median plane is displaced by 25 mm; the retention system shall then be adjusted under the chin of the headform; if the system includes an adjustable chinstrap, the strap is tightened as for normal use.</p> <p>b) When testing impact Point ‘S’ on a helmet with a protective lower face cover, the helmeted headform is tipped forwards so that the central vertical axis of the headform is inclined at an angle of $65 \pm 3^\circ$ to the vertical with the vertical longitudinal plane of symmetry of the helmeted head form in the vertical position. If the impact point would be within 15 mm of the rim, the helmeted headform shall be re-positioned so that the impact point is not less than 15 mm from the rim.</p> <p>c) The test headform shall be so positioned that the designated point on the helmet is vertically above the centre of the anvil. The plane tangential to the point of impact shall be horizontal. This prescription does not apply to S impact point.</p> <p>d) The protective helmets placed on the market with a visor shall be tested with the visor and without peak in the closed position.</p>																												
8.	Impact Velocity	<p>i) The test shall be completed not more than five minutes after the helmet is taken from the conditioning chamber. If the test does not complete within the stipulated time the same shall be kept for reconditioning for not</p>																												

		<p>less than 1 h. Tests at Point S shall be carried out after tests as Points B, X, P and R. The drop height shall be such that the unit constituted by the headform and helmet falls on the test anvil at a velocity, which, immediately before impact, is equal to:</p> <p style="text-align: center;">6.00 +0.1 5/-0.0 m/s for both anvils specified in C-2.2.</p> <p style="text-align: center;">5.50 +0.1 5/-0.0 m/s for tests at Point S</p> <p>Note: Provisions shall be made to carryout testing for velocity up to 10 m/sec.</p> <p>ii) The velocity of the moving mass is measured between 1 cm and 6 cm before impact, to an accuracy of 1 percent. The acceleration against time at the centre of gravity of the headform is measured and recorded.</p>
9.	Selection of Point of Impact	<p>i) Each test shall be carried out with 4 impacts on one helmet on the points B, X, P, and R, in this sequence. When a helmet with a protective lower face cover is being tested then an additional Point S shall be impacted after the four other points, but only against the flat anvil.</p> <p>ii) After each impact the helmet shall be re-positioned correctly on the headform prior to the next impact, without interfering with the adjustment of the retention system. Before each impact on the Point S the helmet shall be re-positioned correctly on the headform and the retention system adjusted under the chin of the headform; if the system includes an adjustable chin strap, the strap is tightened as much as possible.</p> <p>iii) The points of impact are defined for each helmet (Fig. 1).</p> <p>B, in the frontal area, situated in the vertical longitudinal plane of symmetry of the helmet and at an angle of 20° measured from Z above the 'AA' Plane.</p> <p>X, in either the left or right lateral area, situated in the central transverse vertical plane and 12.7 mm below the 'AA' Plane.</p> <p>R, in the rear area, situated in the vertical longitudinal plane of symmetry of the helmet and at an angle of 20° measured from Z above the 'AA' Plane.</p> <p>P, in the area with a radius of 50 mm and a centre at the intersection of the central vertical axis and the outer surface of the helmet shell.</p> <p>S, in the lower face cover area, situated within an area bounded by a sector of 20° divided symmetrically by the vertical longitudinal plane of symmetry of the helmet.</p> <p>Impacts at Points B, X and R should be within 10 mm radius of the defined point.</p>

10.	Calibration	Supplier shall provide valid calibration certificates traceable to National/International Standards in support of conformance of testing parameters and test results.
11.	Additional Features	The equipment shall display testing parameters, test results along with duration. The equipment shall provide a print out in A 4 sheet for testing parameters, test results along with duration.

Annexure-4
Technical compliance statement by the bidder for Test Equipment
For Impact Absorption Test

SL.N o.	Technical Specification (Annexure 3)		Quoted details by the bidder	Deviation from col (2), if any	Rema rks
(1)	(2)		(3)	(4)	(5)
	Components/ Fixtures/ Accessories/ Spare parts/ CRMs etc.	Requirement			
	Test to Be Carried Out	Impact Absorption Test as per cl 7.2 & Annex C of IS 4151:2015. See attached figure 1 & 2.			
1.	Base	iii. The base shall be made of steel or concrete or a combination of these materials and have mass of at least 500 kg. It shall be so constructed that there is no significant deformation of surface under the test load. iv. No part of the base or anvil shall have a resonance frequency liable to affect the measurements.			
2.	Anvils	iii. The flat steel anvil shall have a circular impact face of 130 mm \pm 3 mm diameter. iv. The kerbstone anvil shall have two sides forming an angle of $105^\circ \pm 5^\circ$, each of them with a slope of $52.5^\circ \pm$ 2.5° towards the vertical and meeting along a striking edge with a radius of 15 mm \pm 0.5 mm. The height shall be at least 50 mm and the length not less than 125 mm. The orientation is 45° to the longitudinal vertical plane at Points B, P and R, and 45° to the base plane at Point X (front low, back up) (see attached fig-1).			
3.	Free Fall Guidance System	A suitable free fall guided system shall be provided to carry out the testing. A protective cage shall be provided to protect the operator of minimum 2-meter height.			
4.	Mobile system and guides	The mobile system supporting the headform shall be such that its characteristics do not affect the measurement of acceleration at the centre of gravity of the headform. It shall also be such that any point in the area ACDEF can be positioned vertically above the centre of the anvil (Refer attached fig 3). The guides shall be such that the impact velocity is not less than 95 percent of the theoretical velocity.			
5.	Accelerometer & Measuring	iii. A metal headform fitted with a tri- directional accelerometer and a measuring assembly shall be			

	Assembly	<p>provided.</p> <p>iv. The accelerometer shall be capable of withstanding a maximum acceleration of 2 000 g without damage. Its maximum mass shall be 50 g. The measuring system including the drop assembly shall have a frequency response in accordance with channel frequency class (CFC) 1 000 (see ISO 6487).</p>																															
6.	Headforms	<p>One metallic headform of each size as mentioned in the Table-1 shall be supplied.</p> <p>i) The headform to be used for the impact absorption test shall be made of a metal of characteristics such that the headform present no resonance frequency below 3 000 Hz. The general characteristics of the test headform shall be used shall be as given in Table 1.</p> <p>Table 1 General Characteristics of Test Headforms</p> <table border="1"> <thead> <tr> <th>SI No.</th> <th>Symbols</th> <th>Size mm</th> <th>Mass kg</th> </tr> <tr> <th>(1)</th> <th>(2)</th> <th>(3)</th> <th>(4)</th> </tr> </thead> <tbody> <tr> <td>i)</td> <td>A</td> <td>500</td> <td>3.1 ± 0.10</td> </tr> <tr> <td>ii)</td> <td>E</td> <td>540</td> <td>4.1 ± 0.12</td> </tr> <tr> <td>iii)</td> <td>J</td> <td>570</td> <td>4.7 ± 0.14</td> </tr> <tr> <td>iv)</td> <td>M</td> <td>600</td> <td>5.6 ± 0.16</td> </tr> <tr> <td>v)</td> <td>O</td> <td>620</td> <td>6.1 ± 0.18</td> </tr> </tbody> </table> <p>ii) The shape of the test headforms shall be:</p> <p>c) Above the reference plane, in conformity with the detailed dimensions of the test headforms shown in Annex-TS-1.</p> <p>d) Below the reference plane, in conformity with the detailed dimensions of the test headforms shown in Annex-TS-2.</p> <p>iii) The centre of gravity of the headform shall be near the Point G on the central vertical axis at 1 mm below the reference plane, as defined in Annex-TS-2. The headform shall contain, near its centre of gravity, a housing for a tri-directional accelerometer.</p>	SI No.	Symbols	Size mm	Mass kg	(1)	(2)	(3)	(4)	i)	A	500	3.1 ± 0.10	ii)	E	540	4.1 ± 0.12	iii)	J	570	4.7 ± 0.14	iv)	M	600	5.6 ± 0.16	v)	O	620	6.1 ± 0.18			
SI No.	Symbols	Size mm	Mass kg																														
(1)	(2)	(3)	(4)																														
i)	A	500	3.1 ± 0.10																														
ii)	E	540	4.1 ± 0.12																														
iii)	J	570	4.7 ± 0.14																														
iv)	M	600	5.6 ± 0.16																														
v)	O	620	6.1 ± 0.18																														
7.	Procedure	<p>The equipment shall be capable of carrying out the impact absorption test as per the procedure given below covering all the impact points.</p> <p>i) Positioning of the Helmet after Conditioning:</p> <p>a) The helmet shall be positioned in accordance with the requirements of Annex-</p>																															

		<p>TS-3 on a headform of appropriate size selected from among those listed in Table-1 when testing impact Points B, X, P, R. The helmet shall then be tipped towards the rear so that the front edge of the helmet in the median plane is displaced by 25 mm; the retention system shall then be adjusted under the chin of the headform; if the system includes an adjustable chinstrap, the strap is tightened as for normal use.</p> <p>b) When testing impact Point 'S' on a helmet with a protective lower face cover, the helmeted headform is tipped forwards so that the central vertical axis of the headform is inclined at an angle of $65 \pm 3^\circ$ to the vertical with the vertical longitudinal plane of symmetry of the helmeted head form in the vertical position. If the impact point would be within 15 mm of the rim, the helmeted headform shall be re-positioned so that the impact point is not less than 15 mm from the rim.</p> <p>c) The test headform shall be so positioned that the designated point on the helmet is vertically above the centre of the anvil. The plane tangential to the point of impact shall be horizontal. This prescription does not apply to S impact point.</p> <p>d) The protective helmets placed on the market with a visor shall be tested with the visor and without peak in the closed position.</p>			
8.	Impact Velocity	<p>i) The test shall be completed not more than five minutes after the helmet is taken from the conditioning chamber. If the test does not complete within the stipulated time the same shall be kept for reconditioning for not less than 1 h. Tests at Point S shall be carried out after tests as Points B, X, P and R. The drop height shall be such that the unit constituted by the headform and helmet falls on the test anvil at a velocity, which, immediately before impact, is equal to:</p> <p style="padding-left: 40px;">$6.00 +0.15/-0.05$ m/s for both anvils specified in C-2.2.</p> <p style="padding-left: 40px;">$5.50 +0.15/-0.05$ m/s for tests at Point S</p>			

		<p>Note: Provisions shall be made to carryout testing for velocity up to 10 m/sec.</p> <p>ii) The velocity of the moving mass is measured between 1 cm and 6 cm before impact, to an accuracy of 1 percent. The acceleration against time at the centre of gravity of the headform is measured and recorded.</p>			
9.	Selection of Point of Impact	<p>i) Each test shall be carried out with 4 impacts on one helmet on the points B, X, P, and R, in this sequence. When a helmet with a protective lower face cover is being tested then an additional Point S shall be impacted after the four other points, but only against the flat anvil.</p> <p>ii) After each impact the helmet shall be re-positioned correctly on the headform prior to the next impact, without interfering with the adjustment of the retention system. Before each impact on the Point S the helmet shall be re-positioned correctly on the headform and the retention system adjusted under the chin of the headform; if the system includes an adjustable chin strap, the strap is tightened as much as possible.</p> <p>iii) The points of impact are defined for each helmet (Fig. 1).</p> <p>B, in the frontal area, situated in the vertical longitudinal plane of symmetry of the helmet and at an angle of 20° measured from Z above the 'AA' Plane.</p> <p>X, in either the left or right lateral area, situated in the central transverse vertical plane and 12.7 mm below the 'AA' Plane.</p> <p>R, in the rear area, situated in the vertical longitudinal plane of symmetry of the helmet and at an angle of 20° measured from Z above the 'AA' Plane.</p> <p>P, in the area with a radius of 50 mm and a centre at the intersection of the central vertical axis and the outer surface of the helmet shell.</p> <p>S, in the lower face cover area, situated within an area bounded by a sector of 20° divided symmetrically by the vertical longitudinal</p>			

		plane of symmetry of the helmet. Impacts at Points B, X and R should be within 10 mm radius of the defined point.			
10.	Calibration	Supplier shall provide valid calibration certificates traceable to National/International Standards in support of conformance of testing parameters and test results.			
11.	Additional Features	The equipment shall display testing parameters, test results along with duration. The equipment shall provide a print out in A 4 sheet for testing parameters, test results along with duration.			

Note:

Do not mention **“We Comply or Complied with or yes”** in your response at col (3),

Quote the actual specifications of equipment to be supplied in col (3).

Deviations, if any, from col (2) be quoted in col (4).

PART-II: FINANCIAL BID

1. The financial bid will be submitted online in uploaded multicurrency BOQ templet.xls (please refer to the instructions to bidders of tender document), rates to be quoted after referring to specification of each component.

2. Financial bid shall be evaluated on the total price quoted, which is a combination of unit price of the equipment and CAMC charges up to six years of operation of equipment. The payment will be made for unit price of the equipment which will cover the warranty period also. The CAMC charges as quoted in the financial bid at (B) of Part -II shall be payable on yearly basis after CAMC starts.

3. The format for submitting **Financial Bid** in uploaded multicurrency BOQ templet.xls.

(A) UNIT PRICE

S No.	Component As per Technical Specification (Annexure –3) (i)	Unit Price (in INR/ USD/EURO) Exclusive of all Taxes at designated Delivery Point (ii)	Taxes as applicable with breakup (in INR /USD / EURO) (iii)	Total Unit Price inclusive of taxes (in INR/ USD/ EURO) (iv)	Period of Warranty (1/2/3 years) (v)
1.	Supply, Installation and Commissioning of Test Equipment for Impact Absorption Test				
2					
3					

(B) Comprehensive Annual Maintenance Contract (CAMC) Charges (in INR):

S No.	Component	2 nd year	3 rd year	4 th year	5 th year	6 th year
1	CAMC *					
2.	Applicable Taxes					
3.	Total					

Total Price of Bid (A+B) (Inclusive of taxes) (In Words)

.....

Signature of bidder
Name & Address
Date

Note:

- i) *Discount or any other offers affecting the package price must be mentioned here only. Discount or any other offers affecting the package price mentioned at any other place of the bid will not be considered.*
- ii) *Bids shall be evaluated based on total price (in INR) with taxes as applicable on the date of closing of Bid.*
- iii) ** CAMC for 2nd and 3rd year to be quoted if the warranty period is for one year*

PART-III: CONDITIONS OF CONTRACT

1. CONTRACTOR:

'Contractor' shall mean the individual or firm or company whether incorporated or not, has qualified in bidding process and undertaking the Contract and shall include legal representatives of such individual or persons composing such firm or unincorporated company or successors of such firm or company as the case may be and permitted assigns of such individual or firm or company.

2. PARTIES TO THE CONTRACT:

The parties to the contract shall be the Supplier/ Contractor (whose offer is accepted by BIS) and BIS.

The person signing the offer or any other document forming the part of Contract on behalf of other persons of a firm shall be deemed to have due authority to bind such (person/s) or the firm as the case may be, in all matters pertaining to the Contract. If it is found that the person concerned has no such authority, BIS may, without prejudice to any other Civil/Criminal remedies, terminate the Contract and hold the signatory and / or the firm liable for all costs and damages for such termination.

3. PERFORMANCE SECURITY

For Foreign Supplier: The successful bidder shall furnish within 15 days of placement of the order an unconditional Performance Bank Guarantee from a Nationalized/ scheduled Bank for 10% of the order value. Performance Security should remain valid for a period of 60 days beyond the date of completion of all contractual obligations of the supplier including warranty obligations.

On acceptance of this condition and submission of Bank Guarantee, the Letter of Credit will be opened for 100% order value at BIS HQ/ by concerned lab. If the firm fails to submit the same, the Contract shall be deemed as terminated and the firm's EMD will be forfeited. Performance Security will be furnished in the form of DD/PO favouring BUREAU OF INDIAN STANDARDS (payable at Ghaziabad/New Delhi)/Performance Bank Guarantee as per format indicated in Annexure-5.

For Indian Supplier: The successful bidder shall submit, within 15 days of the placement of the order, an unconditional Performance Bank Guarantee from a Nationalized/ scheduled Bank for 10% of the order value, as per format indicated in Annexure-5. Performance Security will remain **valid for a period of sixty days beyond** the date of completion of all contractual obligations of the supplier including warranty obligations.

Any amount due/recoverable from the Supplier/ Contractor under the terms of this Contract or any other account, may be deducted from the amount of Performance Security. In case, the amount of Performance Security is reduced by reason of any such deduction, the Supplier/ Contractor shall, within fifteen (15) days of receipt of notice of demand from BIS, make good the deficit. In case, security is deposited by way of bank guarantee by the Supplier/ Contractor, then any penalty for damages liquidated or un-liquidated or for any breach or failure or determination of Contract, not previously paid to BIS, shall immediately on demand be paid by the said bankers to BIS under and in terms of the said guarantee.

If during the term of this Contract, the Contractor is in default of the due and faithful performance of its obligations under this Contract, or any other outstanding dues by the way of fines, penalties and recovery of any other amounts due from the Contractor, BIS shall, without prejudice to its other rights and remedies hereunder or at the Applicable Law, be entitled to call in, retain and appropriate the Performance Security.

Nothing herein mentioned shall debar BIS from recovering from Contractor by a suit or any other means any such losses, damages, costs, charges and expenses as aforesaid, in case the same shall exceed the amount of the Performance Security.

The Performance Security shall be retained until all disputes, if any, between both the parties have been settled to the entire satisfaction of BIS. The Performance Security shall be returned to the Contractor by BIS within sixty days following the Completion Date or Termination Date of this Contract provided that there are no outstanding claims of BIS on the Contractor.

4. CONTRACT DOCUMENTS:

The several Contract documents forming the Contract shall be taken as mutually explained to one party by the other, but in case of ambiguities or discrepancies the same shall be explained and harmonized by the Authorized Officer of BIS who shall issue to the Contractor necessary instruction thereon and in such event unless otherwise provided in the Contract the priority of the documents forming the contract shall be as follows:

- i) The Agreement
- ii) The terms and conditions of the Contract
- iii) Tender Notice and Tender Document
- iv) Purchase order/ Letter of Acceptance
- v) Any other correspondence exchanged between the parties in connection with the contract.
- vi) The Contractor's Offer

5. QUANTITY OF GOODS / PLACE OF SUPPLY / PERSONS WHO CAN PLACE ORDERS

One number of **Test Equipment for Impact Absorption Test** shall be supplied at Central Laboratory, BIS, at the address given below:

Head, CL
BUREAU OF INDIAN STANDARDS
Central Laboratory (CL)
20/9, Site-IV
Sahibabad Industrial Area,
Sahibabad-201010, Ghaziabad (UP)

Goods for Central Laboratory can be ordered by Head of Central Laboratory only who is authorized by BIS to place orders against this Contract. **Repeat order(s), if any, by the other BIS labs will be given after satisfactory installation and commissioning of one Test Equipment for Impact Absorption Test at above laboratory.** Goods can be repeat-ordered by Head of concerned BIS Laboratory who is authorized by BIS to place orders against this Contract. However, the Authorized Officer reserves right not to place repeat orders.

6. TRANSPORTATION:

The supplier is required to ensure having an import license for the equipment quoted where applicable as per GOI guidelines. The Goods shall be delivered at the destinations specified in Clause 8 below and shall include loading, unloading and transportation. **The Goods damaged during transportation shall have to be replaced at Contractor's cost.** BIS will provide Customs Duty Exemption Certificate for imported items as applicable and the successful bidder shall be responsible for necessary customs clearance.

7. QUALITY OF GOODS:

All Goods to be supplied by the Contractor shall be in conformity with the Technical specifications as laid down in Annexure-3 of this bid.

8. CONSIGNMENT DESTINATION:

a) For the destination mentioned in the purchase order:

Head, CL
BUREAU OF INDIAN STANDARDS
Central Laboratory (CL)
20/9, Site-IV
Sahibabad Industrial Area,
Sahibabad-201010, Ghaziabad (UP)

b) For Repeat orders if placed:

i) Head, ----- Laboratory
Bureau of Indian Standards

-----, PIN -----

ii) Head, ----- Laboratory
Bureau of Indian Standards

-----, PIN -----

iii) Head, ----- Laboratory
Bureau of Indian Standards

-----, PIN -----

9. INSTALLATION AND COMMISSIONING: Installation and commissioning of the equipment will be done by the supplier **FREE OF CHARGE** at the consignee's premises. The supplier has to arrange for labour and others.

10. WARRANTY

10.1 The equipment along with all critical components/accessories is to be guaranteed for trouble free performance for a **minimum period of three years after installation**. If the warranty period is less than three years, the Comprehensive Annual Maintenance Contract Charges for the remaining period (three years – the actual warranty period quoted) shall be added to the cost of equipment for the purpose of evaluation of the financial bid.

10.2 The defects, if any, during the warranty period shall be rectified free of charge by arranging free replacement at site, wherever necessary. **The last six months of the warranty period shall be free of complaints, failing which the warranty period will get extended by another six months.**

11. FREE TRAINING

Training, free of cost will be provided by the supplier to at least two BIS officials for routine maintenance and smooth running of the equipment, after installation and commissioning at the location.

12. INSPECTION/ PRE-DELIVERY INSPECTION

BIS reserves the right to carry out predelivery inspection/inspection at the time of delivery. The obligation to supply goods conforming to specification and its successful installation and commissioning shall be on the supplier.

The Authorized Officer shall be entitled to inspect and examine goods intended to be supplied to BIS either at the factory, godown or at any place(s) where these are lying or from which these are being obtained and the supplier shall provide such facilities as may be required for such inspection and examination. If goods are not found as per specified requirements, purchase order will be revoked and thereafter BIS shall be free to purchase the goods from the open market. BIS will not make any

payment for any such non-conforming goods.

All goods shall be inspected by BIS preferably in the presence of supplier or his authorized representative, when the packages are opened in BIS Labs on delivery and prior to installation. The decision of BIS shall be binding. Rejected items/goods/stores shall be removed by the supplier at his own cost and risk, within 30 days of receipt of notice for the removal of such goods, and no liability, whatsoever, on BIS shall be attached for the rejected/disapproved goods/items/stores. In case of default on the part of the supplier in removing the rejected goods, the Authorized Officer of BIS shall be at liberty to have them removed by other means. The Authorized Officer shall have full powers to procure other goods through other means for substituting the rejected goods. All costs, which may be incurred upon such removal and/or substitution, shall be borne by the supplier.

The Authorized Officer shall have full powers to decide about removal of any or all of the goods supplied which are not in accordance with the contract specifications or which do not conform to the samples, if any, approved by BIS.

13. TIME FOR SUPPLY, INSTALLATION AND COMMISSIONING.

13.1 The time allowed for delivery, successful installation and commissioning shall be 8 weeks from the date of purchase order (PO). In case of foreign suppliers, the date of delivery, successful installation and commissioning shall be within 8 weeks of opening of Letter of Credit (LOC).

13.2 **Liquidated Damages for Delayed Supply:** Time and date of delivery of goods as stipulated in the order shall be deemed to be the essence of the contract. In case of delay in execution of the order beyond the date of delivery as stipulated in the order or any extensions sanctioned by the Authorized Officer, BIS may at his option either: -

13.3.1 Accept delayed delivery at prices reduced by a sum equivalent to one percent (1%) of the value of any goods not delivered for every week of delay or part thereof limited to a maximum of 10% of the total order value.

13.3.2 Cancel the order in part or full and purchase such cancelled quantities from elsewhere on account and at the risk of the bidder, without prejudice to its rights in respect of goods delivered.

13.4 **Liquidated Damages for Delayed Installation and Commissioning:** In case of delay in installation and commissioning beyond the period stipulated in 13.1 above or any extensions sanctioned, BIS may at his option either:

13.4.1 Accept delayed installation and commissioning at prices reduced by a sum equivalent to one percent (1%) of the value of any goods not installation and commissioned for every week of delay or part thereof limited to a maximum of 10% of the total order value.

13.4.2 Cancel the order in part or full and purchase such cancelled quantities from elsewhere on account and at the risk of the bidder, without prejudice to its rights in respect of goods delivered.

14. RISK PURCHASE

In case the Contractor fails to deliver the quantity as stipulated in the delivery schedule, BIS reserves the right to procure the same or similar Goods from alternate sources at the risk, cost and responsibility of the Contractor.

15. IMPOSITION OF FINES / PENALTY

Subsequent to an order being placed against the quotation received in response to this enquiry if it is found that the goods supplied are not of the right quality or not according to specifications required by BIS or received in damaged or broken condition or otherwise not satisfactory owing to any reason of

which BIS shall be the sole judge, BIS shall be entitled to reject the goods, cancel the contract and buy its requirements in the open market and recover the loss, if any, from supplier reserving to itself the right to forfeit the security deposit, if any, furnished by the supplier against the contract. The supplier will make his own arrangements to remove the rejected goods within 30 days of instruction to do so. Thereafter, they will lie entirely at the supplier's risk and responsibilities and storage charges along with any other charges applicable will be recoverable from the supplier.

16. TERMS OF PAYMENT:

A) The Terms of Payment are: The successful bidder shall furnish within 15 days of placement of the order a Performance Security, from a Nationalized/ Scheduled Bank for 10% of the order value. **Performance Security should remain valid for a period of 60 days beyond the date of completion of all contractual obligations of the supplier including warranty obligations.** On acceptance of this condition and submission of Performance Security, as given in 3 of Part-III (Please see page 15), the Letter of Credit will be opened for 100% order value. If the firm fails to submit the same, the Contract shall be deemed as terminated and the firm's EMD will be forfeited. The Performance Security shall be furnished in the form a DD/PO favouring BUREAU OF INDIAN STANDARDS (payable at Ghaziabad / New Delhi) / Performance Bank Guarantee as per format indicated in Annexure-5.

B) Payment to foreign suppliers:

(i) **Payment for imported items:** 80% payment shall be made by an Irrevocable Letter of Credit established in favour of the supplier at BIS HQ/ by concerned BIS laboratory, for the order value against the presentation of original shipping documents provided that the Performance Security for 10% of the order value within 15 days of placement of the order is given to BIS. 20% of the order value of goods received shall be paid within 30 days of receipt of the goods and successful installation, **commissioning & training** upon submission of claim supported by the acceptance certificate issued by the Purchaser along with the Performance Security.

ii) **Payment for indigenous items:** 100% payment shall be made against delivery, installation, commissioning, training at site and on acceptance as per Purchase Order provided, that the Performance Security for 10% of the order value, within 15 days of placement of the order is given to BIS.

C) **Payment for Indian Suppliers:** 100% payment shall be made against delivery, installation, commissioning, training at site and on acceptance as per Purchase Order provided, that the Performance Security for 10% of the order value, within 15 days of placement of the order is given to BIS.

17. TAXES

Taxes will be deducted by BIS wherever applicable.

18. INDEMNITY:

The Contractor shall indemnify and keep indemnified BIS against all losses and claims for injuries or damage to any person or any property whatsoever which may arise out of or in consequence of the Contract and against all claims, demands, proceedings, damages, costs, charges and expenses whatsoever in respect of or in relation thereto under the provisions of various labour laws as amended from time to time.

The Contractor shall indemnify, protect and save BIS against all claims, losses, costs damages, expenses, action suits and other proceeding, resulting from infringement of any patent, trademarks, copyrights etc. or such other statutory infringements.

19. CORRUPT OR FRAUDULENT PRACTICES

BIS requires that the Bidders under this Bid observe the highest standards of ethics during the procurement and execution of such Contracts.

BIS will reject a proposal for award if it determines that the Contractor has engaged in corrupt or fraudulent practices before, during or after the period of contract; BIS will hold the Contractor ineligible to be awarded a contract, either indefinitely or for a period of 24 months from the date of declaring the contractor ineligible if it at any time determines that the Contractor has engaged in corrupt and fraudulent practices in competing for, or in executing the Contract.

20. BIS MAY TERMINATE THE ORDER, IF

- (a) The Contractor becomes insolvent;
- (b) A receiver, administrator, trustee or liquidator is appointed over a substantial part of its assets;
- (c) Any act is done or event occurs with respect to the Contractor or its assets, which, under any applicable law has substantially similar effect to any of the foregoing acts or events;
- (d) Serious discrepancy in the quality of the Goods is noticed during the inspection.
- (e) Delays in delivery beyond the scheduled date of delivery as stipulated in the order or any extensions sanctioned.
- (f) Delays in installation and commissioning beyond the period stipulated or any extensions sanctioned.
- (g) If the Contractor is in breach of any law or statute governing the supply of Goods/ Services;
- (h) The Contractor, in the judgement of the BIS, has engaged in corrupt or fraudulent practices in competing for or in carrying out the Services under the Contract.
- (i) The Contractor enters into voluntary or involuntary bankruptcy or liquidation.

It shall also be lawful for BIS to terminate the Agreement at any time without assigning any reason and without being liable for loss or damage which the Contractor may suffer by reason of such termination, by giving the Contractor 15 days notice in writing by BIS for such termination. Any such termination shall be without prejudice to any other right of the BIS under the Contract.

21. PUBLICITY

Any publicity by the Contractor in which the name of BIS is to be used, should be done only with the explicit written permission of BIS.

22. DISPUTES, ARBITRATION & LEGAL JURISDICTION

BIS and the Contractor shall make every effort to resolve amicably by direct informal negotiation, any disagreement or dispute arising between them under or in connection with the contract.

If a dispute(s) of any kind whatsoever that cannot be resolved the same shall be referred to the Arbitrator, appointed by the Director General, BIS, New Delhi. The provisions of the Indian Arbitration and Conciliation Act, 1996 shall apply.

No suit or other proceedings relating to performance or breach of Contract shall be filed or taken by the Contractor in any Court of law except the competent Courts having jurisdiction in New Delhi, where headquarter of BIS is located.

23. MODE OF SERVING NOTICE

Communications between Parties which are referred to in the Contract are effective only when in writing. A notice shall be effective only when it is delivered. All notices shall be issued by the authorized officer of BIS unless otherwise provided in the Contract. In case, the notice is sent by registered post to the last known place or abode or business of the Contractor, it shall be deemed to have been served on the date when in the ordinary course of post these would have been served on or delivered to it.

24. GOVERNING LANGUAGE

Governing language for the entire contract and communication thereof shall be English and / or Hindi only.

In case of any dispute, the English version shall prevail.

25. LAW:

The contract shall be governed and interpreted under Indian Laws.

26. STAMP DUTY:

The Contractor shall bear and pay any stamp duty and registration charges if any, in respect of the supply.

27. AUTHORIZED OFFICER:

The Authorized Officer on behalf of BIS shall be the Head, of the BIS Laboratory inviting the tender i.e. the Head of the Central Laboratory. In case of repeat orders by any other BIS Laboratory, the Head of concerned BIS Laboratory placing the repeat order shall be deemed to be the Authorized Officer in respect of the said order.

28. STANDARD FORMS TO BE UTILIZED BY THE BIS AND THE CONTRACTOR:

Annexure-5 BANK GUARANTEE BOND

Annexure-6 CONTRACT AGREEMENT FORM

ANNEXURE-5

FORM OF BANK GUARANTEE BOND

1. In consideration of Bureau of Indian Standards (hereinafter called 'The BIS') having agreed to exempt _____ (hereinafter called "the said Contractor(s)") from the demand under the terms and conditions of an Agreement dated _____ made between _____ and _____ for _____ (hereinafter called "the said Agreement of **Performance Security** for the due fulfilment by the said Contractor (s) of the terms and conditions contained in the said Agreement, on production of a Bank Guarantee for Rs. _____ (Rupees _____ -

_____ Only) we, _____ {hereinafter referred to as (indicate the name of the bank)'the bank'} at the request of _____

[(Contractor (s))] do hereby undertake to pay BIS an amount not exceeding Rs. _____ against any loss or demand caused to or suffered or would be caused to or suffered by the BIS by reason of any breach by the said Contractor (s) of any of the terms or conditions contained in the said Agreement.

2. We _____ do hereby indicate the name of the bank)undertake to pay the amounts due and payable under this guarantee without any demur, merely on a demand from the BIS of Indian Standards stating that the amount claimed is due by way of loss or damage caused to or would be caused to or suffered by BIS by reason of breach by the said Contractor (s) of any of the terms or conditions contained in the said Agreement or by reasons of the Contractor (s) failure to perform the said Agreement. Any such demand made on the bank shall be conclusive as regards the amount due and payable by the Bank under this guarantee. However, our liability under this guarantee shall be restricted to an amount not exceeding Rs.
3. We, undertake to pay to BIS any money so demanded notwithstanding any dispute or disputes raised by the Contractor (s) / Supplier (s) in any suit or proceeding pending before any Court or Tribunal relating thereto our liability under this present being absolute and unequivocal.

The payment so made by us under this bond shall be a valid discharge of our liability for payment there under and the Contractor (s) / Supplier (s) shall have no claim against us for making such payment.

4. We, _____ further agree that the Guarantee (indicate the name of Bank)

herein contained shall remain in full force and effect during the period that would be taken for the performance of the said Agreement and that it shall continue to be enforceable till all the dues of BIS under or by virtue of the said Agreement have been fully paid and its claims satisfied or discharged or till the authorized officer of the BIS

(.....Laboratory) certifies that the terms and conditions of the said Agreement have been fully and properly carried out by the said

Contractor (s) and accordingly of the said Agreement have been fully and properly carried out by the said Contractor (s) and accordingly discharges this guarantee. Unless a demand or claim under this guarantee is made on us in writing on or before thewe shall be discharged from all liability under this guarantee thereafter.

5. Wefurther agree with the BIS that

(indicate the name of Bank)

BIS shall have the fullest liberty without our consent and without affecting in any manner our obligations hereunder to vary any of the terms and conditions of the said Agreement or to extend time to performance by the said Contractor (s) from time to time or to postpone for any time or from time to time any of the powers exercisable by BIS against the said Contractor (s) and to forbear or enforce any of the terms and conditions relating to the said agreement and we shall not be relieved from our liability by reason of any such variation, or extension being granted to the said Contractor (s) or for any forbearance, act or commission on the part of BIS or any indulgence by BIS to the said Contractor (s) or by any such matter or thing whatsoever which under the law relating to sureties would but for this provision, have effect of so relieving us.

6. This guarantee will not be discharged due to the change in the constitution of the Bank or the Contractor (s) / Supplier (s).

7. We, lastly undertake not to revoke this

(indicate the name of bank)

guarantee during its currency except with the previous consent of BIS in writing.

Dated the..... day of 20

For

(indicate the name of bank)

Annexure-6

CONTRACT FORM

AGREEMENT

THIS AGREEMENT made on this day of between M/s_____ (Name and Address of the Contractor) (hereinafter referred to as the CONTRACTOR, which expression shall, unless it be repugnant to the context or meaning thereof, be deemed to mean and include its successors and assigns) of the ONE PART and the BIS of Indian Standards, 9-Bhadurshah Zafar Marg, New Delhi-110002 (hereinafter referred to as the BIS, which expression shall, unless it be repugnant to the context or meaning thereof, be deemed to mean and include its successors and assigns) of the OTHER PART.

WHEREAS the Contractor is a manufacturers/ mills/ authorized distributors/ dealer (Details of business)

AND WHEREAS BIS is a body corporate, enacted by Parliament. BIS intends to purchase _____ on rate contract basis, therefore, invited bids through Open or Advertised / Limited / Single Tender enquiry dated _____

WHEREAS the Contractor (successful bidder) submitted his bid vide _____ in accordance with the bid document and was selected as 'successful bidder' pursuant to the bidding process and negotiation on contract prices, awarded the 'Letter of Acceptance' (LoA) No. _____ to the Contractor on _____.

BOTH THE PARTIES HERETO agree to abide the terms and conditions as mentioned in:

“Part-III (Conditions of Contract) of Tender Document”.

(Signature of Contractor/
Authorized Representative)

Name _____

Designation _____

Address _____

Seal of the Firm/Company

Witness:

(Signature)

Name of Witness _____
Witness _____

Address _____

(Signature of Authorized Officer of BIS)

Name _____

Designation _____

Address _____

Seal of BIS

Witness:

(Signature)

Name of
Witness _____
Address _____

Instructions for Online Bid Submission:

The bidders are required to submit soft copies of their bids electronically on the CPP Portal, using valid Digital Signature Certificates. The instructions given below are meant to assist the bidders in registering on the CPP Portal, prepare their bids in accordance with the requirements and submitting their bids online on the CPP Portal.

More information useful for submitting online bids on the CPP Portal may be obtained at: <https://eprocure.gov.in/eprocure/app>.

1. Registration

- Bidders are required to enrol on the e-Procurement module of the Central Public Procurement Portal (URL: <https://eprocure.gov.in/eprocure/app>) by clicking on the link “**Online bidder Enrolment**” on the CPP Portal which is free of charge
- As part of the enrolment process, the bidders will be required to choose a unique username and assign a password for their accounts.
- Bidders are advised to register their valid email address and mobile numbers as part of the registration process. These would be used for any communication from the CPP Portal.
- Upon enrolment, the bidders will be required to register their valid Digital Signature Certificate (Class II or Class III Certificates with signing key usage) issued by any Certifying Authority recognized by CCA India (e.g. Sify/nCode/eMudra etc.), with their profile.
- Only one valid DSC should be registered by a bidder. Please note that the bidders are responsible to ensure that they do not lend their DSC’s to others which may lead to misuse.
- Bidder then logs in to the site through the secured log-in by entering their user ID/Password and the password of the DSC/e-Token.

2. Searching For Tender Documents

- There are various search options built in the CPP Portal, to facilitate bidders to search active tenders by several parameters. These parameters could include Tender ID, Organization Name, Location, Date, Value, etc. There is also an option of advanced search for tenders, wherein the bidders may combine a number of search parameters such as Organization Name, Form of Contract, Location, Date, Other keywords etc. to search for a tender published on the CPP Portal.
- Once the bidders have selected the tenders they are interested in, they may download the required documents/tender schedules. These tenders can be moved to the respective ‘My Tenders’ folder. This would enable the CPP Portal to intimate the bidders through SMS/e-mail in case there is any corrigendum issued to the tender document.

- The bidder should make a note of the unique Tender ID assigned to each tender, in case they want to obtain any clarification/help from the Helpdesk.

3. **Preparation of Bids**

- Bidder should take into account any corrigendum published on the tender document before submitting their bids.
- Please go through the tender advertisement and the tender document carefully to understand the documents required to be submitted as part of the bid. Please note the number of covers in which the bid documents have to be submitted, the number of documents - including the names and content of each of the document that need to be submitted. Any deviations from these may lead to rejection of the bid.
- Bidder, in advance, should get ready the bid documents to be submitted as indicated in the tender document / schedule and generally, they can be in PDF / XLS / RAR / DWF/JPG formats. Bid documents may be scanned with 100 dpi with black and white option which helps in reducing size of the scanned document.
- To avoid the time and effort required in uploading the same set of standard documents which are required to be submitted as a part of every bid, a provision of uploading such standard documents (e.g. PAN card copy, annual reports, auditor certificates etc.) has been provided to the bidders. Bidders can use “My Space” or “Other Important Documents” area available to them to upload such documents and keep it as a repository.
Note: My Documents space is only a repository given to the Bidders to ease the uploading process. If Bidder has uploaded his Documents in My Documents space, this does not automatically ensure these Documents being part of Technical Bid.

4. **Submission of Bids**

- Bidder should log into the site well in advance for bid submission so that they can upload the bid in time i.e. on or before the bid submission time. Bidder will be responsible for any delay due to other issues.
- The bidder has to digitally sign and upload the required bid documents one by one as indicated in the tender document.
- Bidder has to select the payment option as “offline” to pay the tender fee/EMD as applicable and enter details of the instrument.
- Bidder should prepare the EMD as per the instructions specified in the tender document. The original should be posted/ couriered/given in person to the concerned official, latest by the last date of bid submission or as specified in the tender documents. The details of the DD/any other accepted instrument, physically sent, should tally with the details available in the scanned copy and the data entered during bid submission time. Otherwise the uploaded bid will be rejected.

- Bidders are requested to note that they should necessarily submit their financial bids in the format provided and no other format is acceptable. If the price bid has been given as a standard BoQ format with the tender document, then the same is to be downloaded and to be filled by all the bidders. Bidders are required to download the BoQ file, open it and complete the white coloured (unprotected) cells with their respective financial quotes and other details (such as name of the bidder). No other cells should be changed. Once the details have been completed, the bidder should save it and submit it online, without changing the filename. If the BoQ file is found to be modified by the bidder, the bid will be rejected.
- The server time (which is displayed on the bidders' dashboard) will be considered as the standard time for referencing the deadlines for submission of the bids by the bidders, opening of bids etc. The bidders should follow this time during bid submission.
- All the documents being submitted by the bidders would be encrypted using PKI encryption techniques to ensure the secrecy of the data. The data entered cannot be viewed by unauthorized persons until the time of bid opening. The confidentiality of the bids is maintained using the secured Socket Layer 128 bit encryption technology. Data storage encryption of sensitive fields is done. Any bid document that is uploaded to the server is subjected to symmetric encryption using a system generated symmetric key. Further this key is subjected to asymmetric encryption using buyers/bid openers' public keys. Overall, the uploaded tender documents become readable only after the tender opening by the authorized bid openers.
- The uploaded tender documents become readable only after the tender opening by the authorized bid openers.
- Upon the successful and timely submission of bids (ie after Clicking "Freeze Bid Submission" in the portal), the portal will give a successful bid submission message & a bid summary will be displayed with the bid no. and the date & time of submission of the bid with all other relevant details.
- The bid summary has to be printed and kept as an acknowledgement of the submission of the bid. This acknowledgement may be used as an entry pass for any bid opening meetings.

5. **Assistance To Bidders**

- Any queries relating to the tender document and the terms and conditions contained therein should be addressed to the Tender Inviting Authority for a tender or the relevant contact person indicated in the tender.
- Any queries relating to the process of online bid submission or queries relating to CPP Portal in general may be directed to the 24x7 CPP Portal Helpdesk Nos. 0120-4200462, 0120-4001002

निविदा दस्तावेज़
भाग I: तकनीकी बोली

(क) पूर्व योग्यता मानदंड :

1. बोली लगाने वाला ऐसी ही / इसी तरह के उपकरणों की आपूर्ति के लिए पिछले तीन कैलेंडर वर्षों में पीएसयू / स्वायत्त / सरकारी / प्राइवेट लिमिटेड / भागीदारी / स्वामित्व / किसी अन्य फर्म के लिए भारत में व्यापार कर रहा हो। फर्म की स्थापना के सत्यापन के दस्तावेज प्रस्तुत किया जाएगा।
2. बोलीदाता कम से कम तीन ऐसी ही / इसी तरह के उपकरण और उनमें से एक पिछले तीन साल में भारत में आपूर्ति, स्थापना और कमीशन होना चाहिए। इसके अतिरिक्त, ग्राहकों की सूची भी संलग्न किया जाएगा।
3. बोली लगाने वाला सरकार के या निजी ग्राहकों को दिए गए उपकरणों के खरीद के आदेश की प्रतियां / खरीदारों से संतुष्टि या इसी तरह के उपकरणों की आपूर्ति का किसी अन्य दस्तावेज के पत्र सबूत के रूप में संलग्न करेगा।
4. बोली लगाने वाला पिछले तीन साल के ऑडिटेड बैलेंस शीट की प्रतियां प्रस्तुत करेगा।
5. बोली लगाने वाले वैट / बिक्री कर / पैन / सेवा कर / या कराधान के उद्देश्य के लिए किसी भी अन्य पंजीकरण (भारतीय बोलीदाताओं के लिए) का वैध प्रमाण लगाना होगा। विदेशी कंपनियों के मामले में, बोली लगाने वालों को अपने ही देश से टैक्स रजिस्ट्रेशन का वैध प्रमाण लगा देना होगा।
6. बोलीदाता को काली सूची में नहीं होना चाहिए।
7. बोलीदाता द्वारा पहले कभी भारतीय मानक ब्यूरो के किसी भी निविदा प्रक्रिया से बोली वापस नहीं लिया गया हो।
8. बोलीदाता परस्पर नियम व शर्तों के आधार पर, 6 साल की अवधि के लिए वारंटी और व्यापक वार्षिक रखरखाव अनुबंध एक संयोजन के माध्यम से बिक्री के बाद समर्थन प्रदान करने के लिए तैयार हो।

नोट :- बोलीदाता को सूची में निर्दिष्ट सभी अपेक्षित दस्तावेजों स्वयं सत्यापित प्रति के साथ देना होगा। बोलीदाता को संलग्न चेकलिस्ट भरनी होगी।

पूर्व योग्यता मानदंड के लिए चेकलिस्ट (PQC)

बोलीदाताओं को दाहिने हाथ के कॉलम में बक्से में एक टिक (✓) के साथ इस जांच सूची को भरना होगा। चेकलिस्ट के अनुसार, प्रासंगिक दस्तावेज भी तकनीकी बोली के साथ संलग्न किया जाएगा।

क्र सं	आवश्यकता	दस्तावेज प्रस्तुत	चेक बॉक्स
1.	बोलीदाता है	1.मूल उपकरण निर्माता 2.डीलर / एजेंसी / आपूर्तिकर्ता / सीधा आयातक	1. <input type="checkbox"/> 2. <input type="checkbox"/>
2.	बोलीदाता में आधारित है	1 भारत 2 विदेश में	1. <input type="checkbox"/> 2. <input type="checkbox"/>
3.	बोली लगाने वाले एक सार्वजनिक उपक्रम / स्वायत्त निकाय / सार्वजनिक सीमित / प्राइवेट लिमिटेड / स्वामित्व कंपनी / फर्म है	1.पीएसयू / स्वायत्त 2. लिमिटेड / प्राइवेट लिमिटेड 3. प्रोपेरेटी / साझेदारी फर्म / एलएलपी 4. अन्य (बताएं)	1. <input type="checkbox"/> 2. <input type="checkbox"/> 3. <input type="checkbox"/> 4. <input type="checkbox"/>
4.	फर्म की स्थापना के लागू दस्तावेज - संलग्न का प्रमाण पत्र -नियंत्रक कार्यालय से प्राधिकार पत्र - भागीदारी विलेख / एलएलपी - मालिकाना विवरण - दूसरों (उल्लिखित करना)	1.हाँ, विवरण संलग्न 2.नहीं, विवरण संलग्न नहीं	1. <input type="checkbox"/> 2. <input type="checkbox"/>
5.#	कर पंजीकरण के लागू दस्तावेज संलग्न: -सेवा कर - वैट -बिक्री कर - पैन - दूसरों (उल्लिखित करना..)	1.हाँ, विवरण संलग्न 2.नहीं, विवरण संलग्न नहीं	1. <input type="checkbox"/> 2. <input type="checkbox"/>
6	पिछले लगातार तीन साल के लिए प्रति वर्ष कारोबार के संलग्न बयान।	1.हाँ, विवरण संलग्न 2. नहीं, विवरण संलग्न नहीं	1. <input type="checkbox"/> 2. <input type="checkbox"/>
7.	पिछले तीन वर्षों के लिए लेखा परीक्षा की बैलेंस शीट की प्रतियां संलग्न	1.हाँ, विवरण संलग्न 2. नहीं, विवरण संलग्न नहीं	1. <input type="checkbox"/> 2. <input type="checkbox"/>
8.	ग्राहकों की सूची संलग्न	1.हाँ, विवरण संलग्न 2. नहीं, विवरण संलग्न नहीं	1. <input type="checkbox"/> 2. <input type="checkbox"/>
9.	खरीदारों या खरीद के आदेश या ग्राहकों जिसे एक ही / इसी तरह के उपकरण आपूर्ति की गई थी से किसी अन्य दस्तावेज से संतुष्टि के संलग्न पत्र।	1.हाँ, विवरण संलग्न 2. नहीं, विवरण संलग्न नहीं	1. <input type="checkbox"/> 2. <input type="checkbox"/>
10	बोलीदाता 6 साल की अवधि के लिए वारंटी और व्यापक वार्षिक रखरखाव अनुबंध का एक संयोजन के माध्यम से बिक्री के बाद समर्थन प्रदान करने के लिए तैयार है	1.हाँ, प्रदान करने के लिए तैयार 2. नहीं, उपलब्ध कराने के लिए तैयार नहीं	1. <input type="checkbox"/> 2. <input type="checkbox"/>
11	पहले के अवसर पर भारतीय मानक ब्यूरो के निविदा प्रक्रिया से वापस ले	1. हाँ	1. <input type="checkbox"/>

	लिया है या नहीं	2. नहीं	2. <input type="checkbox"/>
12	काली सूची में डाला है या नहीं	1. हाँ 2. नहीं	1. <input type="checkbox"/> 2. <input type="checkbox"/>
13. ##	पहले बीआईएस के लिए आपूर्ति उपकरण / सेवा की थी	1. हाँ 2. नहीं	1. <input type="checkbox"/> 2. <input type="checkbox"/>

- यह भारतीय बोलीदाताओं के लिए है। विदेशी कंपनियों के मामले में, बोली लगाने वालों को अपने ही देश से टैक्स रजिस्ट्रेशन का वैध प्रमाण लगा देना होगा।

- यह एक अतिरिक्त जानकारी है।

ख): बोलीदाताओं के लिए निर्देश (सख्त अनुपालन के लिए): दो लिफाफे (तकनीकी बोली और वित्तीय बोली) में निम्न शामिल होंगे:

बोली लगाने वाले पूर्व अर्हता मानदंड के सभी बिंदुओं (PQC), चेक-सूची, तकनीकी विशिष्टता (अनुबंध-3) और अनुबंध की शर्तों (भाग 3) को ध्यान से देखें और विशिष्टता, डिलीवरी की तारीख, वित्तीय और सभी अन्य विवरण के संबंध में पूर्ण अपनी बोली प्रस्तुत करें।

1 निविदा "दो बोली" प्रणाली के तहत प्रस्तुत करें। "दो बोलियां" के आधार पर नहीं मिली बोली को सरसरी तौर पर खारिज कर दिया जाएगा।

बोली दस्तावेज की सामग्री: लिफाफे में निम्नलिखित शामिल होंगे:

लिफाफा नंबर 1 (तकनीकी बोली):

- (i) निविदा दस्तावेज में दर्शाए गए अनुसार ईएमडी (डीडी / वेतन आदेश 2,40,000 / - रुपये) या छूट प्रमाण पत्र की स्कैन की गई प्रति।
 - (ii) अनुलग्नक -1 की स्कैन की गई प्रति।
 - (iii) अनुलग्नक -2 की स्कैन की गई प्रति।
 - (iv) अनुलग्नक -4 की स्कैन की गई प्रति।
 - (v) प्रीक्वालिफिकेशन मानदंडों के लिए चेकलिस्ट की स्कैन की गई प्रति।
 - (vi) ब्लैकलिस्टिंग के बारे में उपक्रम की स्कैन की गई प्रति।
 - (vii) प्रीक्वालिफिकेशन मानदंड (पीक्यूसी) के लिए चेकलिस्ट के क्रमांक 4 में बताए गए निगमन प्रमाणपत्र या अन्य प्रासंगिक दस्तावेज की स्कैन की गई प्रतिलिपि।
 - (viii) पैन कार्ड की स्कैन की गई प्रति।
 - (ix) जीएसटी पंजीकरण प्रमाण पत्र की स्कैन की गई प्रति।
 - (x) पिछले 3 वर्षों की लेखापरीक्षित बैलेंस शीट की स्कैन की गई प्रति।
 - (xi) पीक्यूसी के क्रमांक 2 और 3 के अनुसार आपूर्ति, स्थापना और कमीशन के संबंध में दस्तावेजी सबूत के साथ ग्राहकों की सूची की स्कैन की गई प्रति।
 - (xii) पिछले तीन कैलेंडर वर्षों से भारत में व्यवसाय में प्रूफ की स्कैन की गई प्रतिलिपि है।
 - (xiii) तकनीकी बोली के पीक्यूसी के क्रमांक 7 के लिए उपक्रम की स्कैन की गई प्रति।
 - (xiv) तकनीकी बोली के पीक्यूसी के क्रमांक 8 के लिए उपक्रम की स्कैन की गई प्रति।
 - (xv) निविदा दस्तावेज की स्कैन की गई प्रति।
 - (xvi) विदेशी प्रिंसिपल के साथ एजेंसी समझौते की स्कैन की गई प्रति, लागू होने पर।
- उपरोक्त दस्तावेज के प्रत्येक पृष्ठ को बोलीदाता द्वारा हस्ताक्षरित किया जाएगा।

लिफाफा नं .2 (वित्तीय बोली):

भाग 2 (वित्तीय बोली) में विवरण के अनुसार इस लिफाफे में सामानों के लिए आपूर्ति की कीमत होगी। इसे अपलोड किए गए बहुआयामी BOQ templet.xls में विधिवत भरा जाना चाहिए।

2 डिमांड ड्राफ्ट / पे ऑर्डर के रूप में कम से कम मनी डिपॉजिट (ईएमडी) राशि को उपरोक्त वर्णित रूप से प्रस्तुत और जमा किया जाना चाहिए, जिसमें असफलता को अस्वीकार कर दिया जाएगा। कम से कम धन पर बीआईएस द्वारा कोई ब्याज नहीं दिया जाएगा।

ईएमडी राशि जीएफआर के प्रावधानों के अनुसार असफल बोलीदाताओं को लौटा दी जाएगी। यह प्रदर्शन सुरक्षा की प्राप्ति के बाद सफल बोलीदाता को लौटा दी जाएगी।

ईएमडी की जब्ती: बोली सुरक्षा / बयाना जमा निविदाकर्ता वापस ले लेती है या संशोधन या impairs या निविदा की वैधता की अवधि के भीतर किसी भी संबंध में प्रस्ताव derogates या यदि जब्त कर किया जा सकता है अगर सफल बोलीदाता प्रदर्शन सुरक्षा का भुगतान नहीं करता निर्धारित समय सीमा में या अनुबंध के पुरस्कार के बाद समझौते पर हस्ताक्षर करने में विफल रहता है।

3 निविदा सूचना में उल्लिखित समय और तिथि पर निविदा प्राप्त होने की अंतिम तिथि पर तकनीकी बोलियां खोली जाएंगी। निविदा खोलने के समय बोलीदाता का अधिकृत प्रतिनिधि उपस्थित रह सकता है।

4 तकनीकी बोली में सफल बोलीदाताओं के लिए, वित्तीय बोली बाद में तय की जाने वाली तारीख को खोला जाएगा। प्राधिकरण पत्र के साथ बोलीदाता के अधिकृत प्रतिनिधि निर्धारित दिनांक और समय पर मौजूद रह सकते हैं।

5 बोली की वैधता: प्रस्ताव निविदा खोलने की तारीख से 180 दिनों के लिए वैध रहेगा।

- 6 बोली के साथ-साथ सभी आवश्यक दस्तावेजों पर हस्ताक्षर किए जाना चाहिए और मुहर लगी अधिकृत व्यक्ति द्वारा, ऐसा न होने पर बोली अस्वीकृति के लिए उत्तरदायी होगा।
- 7 प्रमुख (केंद्रीय प्रयोगशाला), भारतीय मानक ब्यूरो को स्वीकार या उसके बिना कोई कारण बताए किसी भी बोली या सभी बोलियों को अस्वीकार करने का अधिकार सुरक्षित रखता है।
- 8 प्रक्रिया गोपनीय होने के लिए:
- परीक्षा, मूल्यांकन और बोलियों के तुलना और एक अनुबंध के पुरस्कार से संबंधित सूचना बोलीदाताओं को खुलासा नहीं किया जाएगा या किसी अन्य व्यक्ति को आधिकारिक तौर पर सफल बोलीदाता को पुरस्कार जब तक इस तरह की प्रक्रिया के साथ संबंध की घोषणा नहीं की गई है।
- 9 बोली जमा करने के बाद उपकरणों के संबंध में किसी भी तरह की प्रचार अयोग्यता के रूप में माना जाएगा।
- 10 उद्धरण पर त्रुटि के किसी भी सुधार विधिवत उद्धरण हस्ताक्षर करने वाले व्यक्ति द्वारा प्रमाणीकृत किया जाना चाहिए। इसमें कोई ओवरराइटिंग किया जाएगा।
- 11 विशेष शर्तें: भारतीय एजेंट, अगर है (यानी विदेशी सप्लायर) उनके प्रधान की ओर से उद्धरण प्रस्तुत करने, सुनिश्चित करने और निम्न प्रस्तुत करेगा:
- i) विदेशी प्रधानाचार्य के साथ एजेंसी करार की प्रति।
- ii) फर्म उपकरण के जीवनकाल के दौरान/ गारंटी / वारंटी अवधि समाप्त होने के बाद बिक्री सेवा और अपेक्षित पुर्जों के बाद उपलब्ध कराया का ख्याल रखना होगा।
- iii) भारत के बाहर क्रेडिट का पत्र खोलने के लिए बैंक शुल्क आपूर्तिकर्ता द्वारा वहन किया जाता है।
- 12 दरें कैसे उद्धृत किया जाना है:

12.1 अपलोड की गई बहु मुद्रा BOQ template.xls में वस्तुओं की लागत का स्पष्ट रूप से उल्लेख किया जाना चाहिए। निम्नलिखित विवरण शामिल किए जाने की जरूरत है:

का मुख्य उपकरण, सामान की कीमत ब्रेक-अप उपभोज्य, पुर्जों, जुड़नार (जो भी लागू हो) बोलीदाता द्वारा आपूर्ति की जा सके। भारतीय रुपए / अमरीकी डालर / यूरो में प्रत्येक आइटम के लिए यूनिट दर बोली (जो भी लागू हो)। दरें दरवाजा वितरण के आधार पर सीआईएफ आधार (लागत, बीमा और माल दुलाई) पर कोट की जाये।

खा राज्य बिक्री कर, उत्पाद शुल्क या लागू रूप में किसी भी अन्य करों / शुल्क, दरें विशेष रूप से उद्धृत की जाये। ऐसे किसी शर्त के अभाव में, यह माना जाएगा कि कीमतों में सभी तरह के करों / शुल्क शामिल है और कोई दावा विचार नहीं किया जाएगा।

गा प्रारूप भाग- II: वित्तीय बोली में निर्धारित अपनी दरें, अन्य शुल्क लागू करों और शुल्कों को उद्धृत करें

घा उपकरण, छह साल के लिए प्रदर्शन के लिए समर्थन किया जाना आवश्यक है अर्थात, वारंटी के तीन साल से अधिक CAMC (व्यापक वार्षिक रखरखाव अनुबंध) के तीन साल। वारंटी बोलीदाता द्वारा की पेशकश की कम से कम तीन वर्ष का होता है, तो बोली लगाने वाले CAMC, साल, वारंटी की शेष अवधि के लिए बोली होगी, साथ ही, चौथे, पांचवें और छठे साल के लिए। कृपया वित्तीय बोली भाग- II के (बी) का संदर्भ लें:

वित्तीय बोली कुल कीमत उद्धृत किया है, जो उपकरण और उपकरणों के संचालन के छह वर्ष तक CAMC आरोपों की इकाई मूल्य का एक संयोजन है पर मूल्यांकन किया जाएगा। भुगतान उपकरण है, जो भी वारंटी अवधि को कवर किया जाएगा की इकाई मूल्य के लिए किया जाएगा। CAMC प्रभार (बी) में वित्तीय बोली में उद्धृत के रूप में भाग द्वितीय के वार्षिक आधार पर देय होगा के बाद CAMC शुरू होता है।

ड)। कीमतों में भारतीय रुपए (INR) / अमरीकी डालर / यूरो (जो भी लागू हो) में उद्धृत किया जाएगा। मामले में दरें विदेशी मुद्रा में उद्धृत कर रहे हैं, आईएनआर (भारतीय रिजर्व बैंक की दर) के लिए रूपांतरण दर निविदा जमा करने की अंतिम तारीख को लागू किया जाएगा। वित्तीय बोली का मूल्यांकन भारतीय रुपयों में मूल्य के आधार पर किया जाएगा।

च। बीआईएस पूर्ण सीएसटी का भुगतान करती है और न ही फार्म सी है और न ही फार्म डी प्रदान किया जाएगा।

झ। दरों के हवाले से निविदा की वित्तीय बोली खोलने की तारीख से एक वर्ष की अवधि के लिए वैध होगी।

जा सफल बोलीदाता पैकिंग, अग्रेषण, माल ढुलाई और बीमा, सीमा शुल्क निकासी, साइट और स्थापना में के लिए जिम्मेदार है, कमीशन और एक संतोषजनक ढंग से बीआईएस कर्मियों का प्रशिक्षण।

ब) एजेंसी कमीशन भारतीय क्लियरिंग एजेंट के लिए भारतीय मानक ब्यूरो द्वारा भुगतान नहीं किया जाएगा और एक ही सप्लायर द्वारा वहन किया जाएगा। बीआईएस कस्टम क्लियरेंस के समय में कस्टम शुल्क छूट प्रमाण पत्र प्रदान करेगा और आपूर्तिकर्ता सीमा शुल्क निकासी प्राप्त करने और निर्दिष्ट स्थान (एस) पर माल देने के लिए है।

12.2 बोली लगाने वाले उसके दरों बाहर काम करने के प्रति अनुबंध -3 तकनीकी बोली एवं शर्तें स्पष्ट रूप से उल्लेख किया और राशि पर पहुंचने के हवाले से कहा जा करने के लिए के रूप में ध्यान में रखते हुए तकनीकी विशिष्टताओं की उम्मीद है। बोली लगाने शुद्धता और अपनी बोली की और दरों और कीमतों वित्तीय बोली के लिए संलग्न प्रपत्र (भाग-दो) में उद्धृत की प्रचुरता है, जो दरों और कीमतों, सिवाय के रूप में अन्यथा प्रदान करेगा के रूप में बोली लगाने से पहले खुद को संतुष्ट किया है समझा जाएगा निविदा के तहत अपने सभी दायित्वों और सभी मामलों और Tender.The वित्तीय बोली के तहत अपने दायित्वों को पूरा करने के लिए आवश्यक उचित बातें कवर स्पष्ट रूप से इंगित सभी करों स्थानीय करों, आदि सहित के लिए माल पर आपूर्ति की जा बोलीदाता द्वारा भुगतान किए जाने की जाएगी निर्दिष्ट स्थानों और ऐसे किसी भी खाते पर अतिरिक्त भुगतान के लिए किसी भी दावे पर विचार नहीं किया जाएगा।

12.3 कीमत बोलीदाता द्वारा उद्धृत, दोहराने आदेश (एस) के लिए लागू होगा दोहराने के आदेश सप्लायर के साथ रखा जाता है।

हालांकि, भारतीय मानक ब्यूरो आदेश नहीं दोहराने का अधिकार सुरक्षित रखता है।

13 समझौते के निष्पादन: यह समझौते पर अमल करने के लिए, प्रति अनुबंध के रूप में 6 रुपये की गैर-न्यायिक स्टाम्प पेपर पर सफल बोलीदाता पर निर्भर होगी। अनुबंध और वेतन स्टॉप शुल्क, समझौते के लिए कानूनी और सांविधिक शुल्क, यदि किसी भी पुरस्कार के समय में 100.00, निष्पादन की तारीख पर लागू के रूप में। कृपया ध्यान भाग- III के रूप में दी, अनुबंध की शर्तों को पढ़ने: अनुबंध की शर्तों।

14 निविदा सूचना और बोली लगाने वालों के लिए निर्देश अनुबंध का एक हिस्सा होगा।

ग) भारतीय मानक ब्यूरो और बोलीदाताओं द्वारा उपयोग करने के लिए अन्य मानक फार्म

1. अनुबंध-1 बोलीदाताओं द्वारा प्रस्तुत विवरण
2. अनुबंध-2 निविदा दस्तावेज के अनुच्छेद से विचलन के बारे में बयान
3. अनुबंध-3 तकनीकी विशिष्टता
4. अनुबंध-4 बोलीदाताओं द्वारा तकनीकी अनुपालन वक्तव्य

अनुबंध-1

बोलीदाताओं द्वारा प्रस्तुत विवरण

1. फर्म / कंपनी का नाम:

2. विवरण पंजीकरण / आयात लाइसेंस यदि वैधता की तारीख के साथ किसी भी:

संचार के लिए 3. पता:

4. टेलीफोन नं .:

5. ई-मेल:

6. निर्माता का नाम और पता (अलग है)

7. बैंक खाता विवरण।

मालिक / साथी / निदेशक / प्राधिकृत हस्ताक्षरकर्ता की

8. विवरण, नाम पता

9. पैन, फर्म / कंपनी के टिन संख्या:

10 सेवा कर पंजीकरण:

11. ईएमडी ड्राफ्ट संख्या / बैंक की. तिथि व नाम:

यह उपरोक्त तथ्यों सच को पूरा करने और अपने ज्ञान और विश्वास के अनुसार सही हैं कि प्रमाणित किया जाता है। इसके अलावा, यह मैं / हम पढ़ने के लिए और शर्तों और निविदा सूचना की शर्तों समझ में आ रहा है कि प्रमाणित है।

मैं / हम वचन देगा और सभी नियमों और निविदा की शर्तों के बारे में हमारी बिना शर्त और स्पष्ट स्वीकृति देने के लिए और इन नियमों और शर्तों का पालन करने पर सहमत हैं।

नाम और फर्म / कंपनी के हस्ताक्षर

फर्म / कंपनी की मुहर

तारीख

अनुबंध – 2

निविदा दस्तावेज के अनुच्छेद से विचलन के बारे में बयान

क्रम० स०	निविदा के खंड स०	विचलन के विवरण	औचित्य सहित टिप्पणी

अनुबंध - 3

संघात अवशोषण टेस्ट के लिए टेस्ट उपकरण की तकनीकी विशेषता

क्रम o सo	पुरजा/ फिक्स्चर / सहायक / स्पेयर पार्ट्स / CRMs आदि	आवश्यकताएँ								
(1)	(2)	(3)								
	Test to Be Carried Out	Impact Absorption Test as per cl 7.2 & Annex C of IS 4151:2015. See attached figure 1 & 2.								
12.	Base	<ul style="list-style-type: none"> v. The base shall be made of steel or concrete or a combination of these materials and have mass of at least 500 kg. It shall be so constructed that there is no significant deformation of surface under the test load. vi. No part of the base or anvil shall have a resonance frequency liable to affect the measurements. 								
13.	Anvils	<ul style="list-style-type: none"> v. The flat steel anvil shall have a circular impact face of 130 mm \pm 3 mm diameter. vi. The kerbstone anvil shall have two sides forming an angle of 105° \pm 5°, each of them with a slope of 52.5° \pm 2.5° towards the vertical and meeting along a striking edge with a radius of 15 mm \pm 0.5 mm. The height shall be at least 50 mm and the length not less than 125 mm. The orientation is 45° to the longitudinal vertical plane at Points B, P and R, and 45° to the base plane at Point X (front low, back up) (see attached fig-1). 								
14.	Free Fall Guidance System	A suitable free fall guided system shall be provided to carry out the testing. A protective cage shall be provided to protect the operator of minimum 2-meter height.								
15.	Mobile system and guides	The mobile system supporting the headform shall be such that its characteristics do not affect the measurement of acceleration at the centre of gravity of the headform. It shall also be such that any point in the area ACDEF can be positioned vertically above the centre of the anvil (Refer attached fig 3). The guides shall be such that the impact velocity is not less than 95 percent of the theoretical velocity.								
16.	Accelerometer & Measuring Assembly	<ul style="list-style-type: none"> v. A metal headform fitted with a tri-directional accelerometer and a measuring assembly shall be provided. vi. The accelerometer shall be capable of withstanding a maximum acceleration of 2 000 g without damage. Its maximum mass shall be 50 g. The measuring system including the drop assembly shall have a frequency response in accordance with channel frequency class (CFC) 1 000 (see ISO 6487). 								
17.	Headforms	<p>One metallic headform of each size as mentioned in the Table-1 shall be supplied.</p> <p>i) The headform to be used for the impact absorption test shall be made of a metal of characteristics such that the headform present no resonance frequency below 3 000 Hz. The general characteristics of the test headform shall be used shall be as given in Table 1.</p> <p>Table 1 General Characteristics of Test Headforms</p> <table border="1"> <thead> <tr> <th>Sl No.</th> <th>Symbols</th> <th>Size mm</th> <th>Mass kg</th> </tr> <tr> <th>(1)</th> <th>(2)</th> <th>(3)</th> <th>(4)</th> </tr> </thead> </table>	Sl No.	Symbols	Size mm	Mass kg	(1)	(2)	(3)	(4)
Sl No.	Symbols	Size mm	Mass kg							
(1)	(2)	(3)	(4)							

		<p>i) A 500 3.1 ± 0.10</p> <p>ii) E 540 4.1 ± 0.12</p> <p>iii) J 570 4.7 ± 0.14</p> <p>iv) M 600 5.6 ± 0.16</p> <p>v) O 620 6.1 ± 0.18</p> <p>ii) The shape of the test headforms shall be:</p> <p>e) Above the reference plane, in conformity with the detailed dimensions of the test headforms shown in Annex-TS-1.</p> <p>f) Below the reference plane, in conformity with the detailed dimensions of the test headforms shown in Annex-TS-2.</p> <p>iii) The centre of gravity of the headform shall be near the Point G on the central vertical axis at 1 mm below the reference plane, as defined in Annex-TS-2. The headform shall contain, near its centre of gravity, a housing for a tri-directional accelerometer.</p>
18.	Procedure	<p>The equipment shall be capable of carrying out the impact absorption test as per the procedure given below covering all the impact points.</p> <p>i) Positioning of the Helmet after Conditioning:</p> <p>a) The helmet shall be positioned in accordance with the requirements of Annex-TS-3 on a headform of appropriate size selected from among those listed in Table-1 when testing impact Points B, X, P, R. The helmet shall then be tipped towards the rear so that the front edge of the helmet in the median plane is displaced by 25 mm; the retention system shall then be adjusted under the chin of the headform; if the system includes an adjustable chinstrap, the strap is tightened as for normal use.</p> <p>b) When testing impact Point ‘S’ on a helmet with a protective lower face cover, the helmeted headform is tipped forwards so that the central vertical axis of the headform is inclined at an angle of 65 ± 3° to the vertical with the vertical longitudinal plane of symmetry of the helmeted head form in the vertical position. If the impact point would be within 15 mm of the rim, the helmeted headform shall be re-positioned so that the impact point is not less than 15 mm from the rim.</p> <p>c) The test headform shall be so positioned that the designated point on the helmet is vertically above the centre of the anvil. The plane tangential to the point of impact shall be horizontal. This prescription does not apply to S impact point.</p> <p>d) The protective helmets placed on the market with a visor shall be tested with the visor and without peak in the closed position.</p>
19.	Impact Velocity	<p>i) The test shall be completed not more than five minutes after the helmet is taken from the conditioning chamber. If the test does not complete within the stipulated time the same shall be kept for reconditioning for not less than 1 h. Tests at Point S shall be carried out after tests as Points B, X, P and R. The drop height shall be such that the unit constituted by the headform and helmet falls on the test anvil at a velocity, which, immediately before impact, is equal to:</p>

		<p>6.00 +0.1 5/-0.0 m/s for both anvils specified in C-2.2.</p> <p>5.50 +0.1 5/-0.0 m/s for tests at Point S</p> <p>Note: Provisions shall be made to carryout testing for velocity up to 10 m/sec.</p> <p>ii) The velocity of the moving mass is measured between 1 cm and 6 cm before impact, to an accuracy of 1 percent. The acceleration against time at the centre of gravity of the headform is measured and recorded.</p>
20.	Selection of Point of Impact	<p>i) Each test shall be carried out with 4 impacts on one helmet on the points B, X, P, and R, in this sequence. When a helmet with a protective lower face cover is being tested then an additional Point S shall be impacted after the four other points, but only against the flat anvil.</p> <p>ii) After each impact the helmet shall be re-positioned correctly on the headform prior to the next impact, without interfering with the adjustment of the retention system. Before each impact on the Point S the helmet shall be re-positioned correctly on the headform and the retention system adjusted under the chin of the headform; if the system includes an adjustable chin strap, the strap is tightened as much as possible.</p> <p>iii) The points of impact are defined for each helmet (Fig. 1).</p> <p>B, in the frontal area, situated in the vertical longitudinal plane of symmetry of the helmet and at an angle of 20° measured from Z above the 'AA' Plane.</p> <p>X, in either the left or right lateral area, situated in the central transverse vertical plane and 12.7 mm below the 'AA' Plane.</p> <p>R, in the rear area, situated in the vertical longitudinal plane of symmetry of the helmet and at an angle of 20° measured from Z above the 'AA' Plane.</p> <p>P, in the area with a radius of 50 mm and a centre at the intersection of the central vertical axis and the outer surface of the helmet shell.</p> <p>S, in the lower face cover area, situated within an area bounded by a sector of 20° divided symmetrically by the vertical longitudinal plane of symmetry of the helmet.</p> <p>Impacts at Points B, X and R should be within 10 mm radius of the defined point.</p>
21.	Calibration	Supplier shall provide valid calibration certificates traceable to National/International Standards in support of conformance of testing parameters and test results.
22.	Additional Features	The equipment shall display testing parameters, test results along with duration. The equipment shall provide a print out in A 4 sheet for testing parameters, test results along with duration.

अनुबंध-4
बोलीदाताओं द्वारा तकनीकी अनुपालन वक्तव्य

क्रम सं०	तकनीकी विशिष्टता (अनुबंध - 3)		बोलीदाता द्वारा उद्धरण विवरण	कालम (२) से विचलन, यदि हो	टिप्पणी
(1)	(2)		(3)	(4)	(5)
	पुरजा/ फिक्स्चर / सहायक / स्पेयर पार्ट्स / CRMs आदि	आवश्यकतार्ये			
	Test to Be Carried Out	Impact Absorption Test as per cl 7.2 & Annex C of IS 4151:2015. See attached figure 1 & 2.			
12.	Base	vii. The base shall be made of steel or concrete or a combination of these materials and have mass of at least 500 kg. It shall be so constructed that there is no significant deformation of surface under the test load. viii. No part of the base or anvil shall have a resonance frequency liable to affect the measurements.			
13.	Anvils	vii. The flat steel anvil shall have a circular impact face of 130 mm ± 3 mm diameter. viii. The kerbstone anvil shall have two sides forming an angle of 105° ± 5°, each of them with a slope of 52.5° ± 2.5° towards the vertical and meeting along a striking edge with a radius of 15 mm ± 0.5 mm. The height shall be at least 50 mm and the length not less than 125 mm. The orientation is 45° to the longitudinal vertical plane at Points B, P and R, and 45° to the base plane at Point X (front low, back up) (see attached fig-1).			
14.	Free Fall Guidance System	A suitable free fall guided system shall be provided to carry out the testing. A protective cage shall be provided to protect the operator of minimum 2-meter height.			
15.	Mobile system and guides	The mobile system supporting the headform shall be such that its characteristics do not affect the measurement of acceleration at the centre of gravity of the headform. It shall also be such that any point in the area ACDEF can be positioned vertically above the centre of the anvil (Refer attached fig 3). The guides shall be such that the impact velocity is not less than 95 percent of the theoretical			

		velocity.																															
16.	Accelerometer & Measuring Assembly	<p>vii. A metal headform fitted with a tri-directional accelerometer and a measuring assembly shall be provided.</p> <p>viii. The accelerometer shall be capable of withstanding a maximum acceleration of 2 000 g without damage. Its maximum mass shall be 50 g. The measuring system including the drop assembly shall have a frequency response in accordance with channel frequency class (CFC) 1 000 (see ISO 6487).</p>																															
17.	Headforms	<p>One metallic headform of each size as mentioned in the Table-1 shall be supplied.</p> <p>i) The headform to be used for the impact absorption test shall be made of a metal of characteristics such that the headform present no resonance frequency below 3 000 Hz. The general characteristics of the test headform shall be used shall be as given in Table 1.</p> <p>Table 1 General Characteristics of Test Headforms</p> <table border="1"> <thead> <tr> <th>SI No.</th> <th>Symbols</th> <th>Size mm</th> <th>Mass kg</th> </tr> <tr> <th>(1)</th> <th>(2)</th> <th>(3)</th> <th>(4)</th> </tr> </thead> <tbody> <tr> <td>i)</td> <td>A</td> <td>500</td> <td>3.1 ± 0.10</td> </tr> <tr> <td>ii)</td> <td>E</td> <td>540</td> <td>4.1 ± 0.12</td> </tr> <tr> <td>iii)</td> <td>J</td> <td>570</td> <td>4.7 ± 0.14</td> </tr> <tr> <td>iv)</td> <td>M</td> <td>600</td> <td>5.6 ± 0.16</td> </tr> <tr> <td>v)</td> <td>O</td> <td>620</td> <td>6.1 ± 0.18</td> </tr> </tbody> </table> <p>ii) The shape of the test headforms shall be:</p> <p>g) Above the reference plane, in conformity with the detailed dimensions of the test headforms shown in Annex-TS-1.</p> <p>h) Below the reference plane, in conformity with the detailed dimensions of the test headforms shown in Annex-TS-2.</p> <p>iii) The centre of gravity of the headform shall be near the Point G on the central vertical axis at 1 mm below the reference plane, as defined in Annex-TS-2. The headform shall contain, near its centre of gravity, a housing for a tri-directional accelerometer.</p>	SI No.	Symbols	Size mm	Mass kg	(1)	(2)	(3)	(4)	i)	A	500	3.1 ± 0.10	ii)	E	540	4.1 ± 0.12	iii)	J	570	4.7 ± 0.14	iv)	M	600	5.6 ± 0.16	v)	O	620	6.1 ± 0.18			
SI No.	Symbols	Size mm	Mass kg																														
(1)	(2)	(3)	(4)																														
i)	A	500	3.1 ± 0.10																														
ii)	E	540	4.1 ± 0.12																														
iii)	J	570	4.7 ± 0.14																														
iv)	M	600	5.6 ± 0.16																														
v)	O	620	6.1 ± 0.18																														
18.	Procedure	The equipment shall be capable of carrying out the impact absorption test as per the																															

		<p>procedure given below covering all the impact points.</p> <p>i) Positioning of the Helmet after Conditioning:</p> <p>a) The helmet shall be positioned in accordance with the requirements of Annex-TS-3 on a headform of appropriate size selected from among those listed in Table-1 when testing impact Points B, X, P, R. The helmet shall then be tipped towards the rear so that the front edge of the helmet in the median plane is displaced by 25 mm; the retention system shall then be adjusted under the chin of the headform; if the system includes an adjustable chinstrap, the strap is tightened as for normal use.</p> <p>b) When testing impact Point ‘S’ on a helmet with a protective lower face cover, the helmeted headform is tipped forwards so that the central vertical axis of the headform is inclined at an angle of $65 \pm 3^\circ$ to the vertical with the vertical longitudinal plane of symmetry of the helmeted head form in the vertical position. If the impact point would be within 15 mm of the rim, the helmeted headform shall be re-positioned so that the impact point is not less than 15 mm from the rim.</p> <p>c) The test headform shall be so positioned that the designated point on the helmet is vertically above the centre of the anvil. The plane tangential to the point of impact shall be horizontal. This prescription does not apply to S impact point.</p> <p>d) The protective helmets placed on the market with a visor shall be tested with the visor and without peak in the closed position.</p>			
19.	Impact Velocity	<p>i) The test shall be completed not more than five minutes after the helmet is taken from the conditioning chamber. If the test does not complete within the stipulated time the same shall be kept for reconditioning for not less than 1 h. Tests at Point S shall be carried out after tests as Points B, X, P and R. The drop height shall be such that the unit constituted by the headform and helmet falls on the test anvil at a velocity, which, immediately before</p>			

		<p>impact, is equal to:</p> <p>6.00 +0.1 5/-0.0 m/s for both anvils specified in C-2.2.</p> <p>5.50 +0.1 5/-0.0 m/s for tests at Point S</p> <p>Note: Provisions shall be made to carryout testing for velocity up to 10 m/sec.</p> <p>ii) The velocity of the moving mass is measured between 1 cm and 6 cm before impact, to an accuracy of 1 percent. The acceleration against time at the centre of gravity of the headform is measured and recorded.</p>			
20.	Selection of Point of Impact	<p>i) Each test shall be carried out with 4 impacts on one helmet on the points B, X, P, and R, in this sequence. When a helmet with a protective lower face cover is being tested then an additional Point S shall be impacted after the four other points, but only against the flat anvil.</p> <p>ii) After each impact the helmet shall be re-positioned correctly on the headform prior to the next impact, without interfering with the adjustment of the retention system. Before each impact on the Point S the helmet shall be re-positioned correctly on the headform and the retention system adjusted under the chin of the headform; if the system includes an adjustable chin strap, the strap is tightened as much as possible.</p> <p>iii) The points of impact are defined for each helmet (Fig. 1).</p> <p>B, in the frontal area, situated in the vertical longitudinal plane of symmetry of the helmet and at an angle of 20° measured from Z above the 'AA' Plane.</p> <p>X, in either the left or right lateral area, situated in the central transverse vertical plane and 12.7 mm below the 'AA' Plane.</p> <p>R, in the rear area, situated in the vertical longitudinal plane of symmetry of the helmet and at an angle of 20° measured from Z above the 'AA' Plane.</p> <p>P, in the area with a radius of 50 mm and a</p>			

		<p>centre at the intersection of the central vertical axis and the outer surface of the helmet shell.</p> <p>S, in the lower face cover area, situated within an area bounded by a sector of 20° divided symmetrically by the vertical longitudinal plane of symmetry of the helmet.</p> <p>Impacts at Points B, X and R should be within 10 mm radius of the defined point.</p>			
21.	Calibration	Supplier shall provide valid calibration certificates traceable to National/International Standards in support of conformance of testing parameters and test results.			
22.	Additional Features	The equipment shall display testing parameters, test results along with duration. The equipment shall provide a print out in A 4 sheet for testing parameters, test results along with duration.			

ध्यान दें:

कालम (3) में "हम पालन करते हैं या हाँ या पालन किया" के रूप में अपनी प्रतिक्रिया न दे

कालम (3) में आपूर्ति किये जाने वाले उपकरणों की वास्तविक विशिष्टताओं का उल्लेख करे।

कालम (2) से विचलन, यदि कोई हो, तो कालम (4) में उल्लेख करे

भाग II: वित्तीय बोली

1. वित्तीय बोली (बोलीदाताओं के लिए निर्देश के लिए कृपया, निविदा दस्तावेज के पेज-8 से पेज -6 देखें) “वित्तीय बोली” लिखा एक सील बंद लिफाफे में प्रस्तुत किया जाएगा, दर प्रत्येक घटक की विनिर्देश की चर्चा करते हुए उद्धृत किया जाएगा।
2. वित्तीय बोली कुल कीमतपर मूल्यांकन किया जाएगा जो उपकरण और उपकरणों के संचालन के छह वर्ष तक CAMC की इकाई मूल्य का एक संयोजन है। भुगतान उपकरण की इकाई मूल्य के लिए जिसमें वारंटी अवधि कवर है, के लिए किया जाएगा। CAMC प्रभार CAMC शुरू होने के बाद, वित्तीय बोली भाग के (बी) में उद्धृत रूप में वार्षिक आधार पर देय होगा।
3. वित्तीय बोली प्रस्तुत करने के लिए प्रारूप नीचे दी गई है:

(अलग-अलग मुहरबंद लिफाफे में प्रस्तुत किया जाना)

(क) यूनिट मूल्य

S No.	अंग तकनीकी विनिर्देश के अनुसार (अनुबंध -3) (i)	यूनिट मूल्य (INR / अमरीकी डालर / यूरो में) नामित वितरण के बिंदु पर सभी करों के अनन्य (ii)	लागू कर (INR / अमरीकी डालर / यूरो में) (iii)	कुल यूनिट कीमत करों के समावेशी (INR / अमरीकी डालर / यूरो में) (iv)	वारंटी की अवधि (1/2/3 वर्ष) (v)
1.					
2					
3					

(ख) व्यापक वार्षिक रखरखाव अनुबंध (CAMC) प्रभार (रुपयों में):

क्रम 0 स0	संघटक	2 वर्ष	3 वर्ष	4 वर्ष	5 वर्ष	6 वर्ष
1	CAMC *					
2.	लागू कर					
3.	कुल					

बोली (ए + बी) (करों सहित) (शब्दों में) की कुल कीमत

.....
.....।

बोली लगाने वाले के हस्ताक्षर

नाम पता

तारीख

ध्यान दें:

i) छूट या पैकेज की कीमत प्रभावित करने वाले किसी भी अन्य प्रस्तावों केवल यहाँ उल्लेख किया जाना चाहिए। छूट या पैकेज की कीमत प्रभावित करने वाले किसी भी अन्य प्रस्तावों अन्य जगह पर उल्लेख पर विचार नहीं किया जाएगा।

ii) बोली के समापन की तिथि पर लागू करों के साथ कुल बोली के मूल्य (INR) के आधार पर मूल्यांकन किया जाएगा।

iii) * 2 और 3 साल के लिए CAMC अगर वारंटी अवधि एक वर्ष के लिए है उद्धृत किया जाएगा।

भाग- III: अनुबंध की शर्तें

1. ठेकेदार:

'ठेकेदार' व्यक्ति या फर्म या कंपनी शामिल है या नहीं, बोली लगाने की प्रक्रिया में योग्य और अनुबंध के उपक्रम और ऐसी फर्म या अनिगमित कंपनी या के रूप में ऐसी फर्म या कंपनी के उत्तराधिकारियों रचना ऐसे व्यक्ति के कानूनी प्रतिनिधि या व्यक्तियों को शामिल करेगा गया है का अर्थ होगा मामला हो सकता है और ऐसे व्यक्ति या फर्म या कंपनी की अनुमति दी असाइन कर सकते हैं।

2. संविदा के पक्षकार:

अनुबंध करने के लिए पार्टियों प्रदायक / ठेकेदार (जिसका प्रस्ताव भारतीय मानक ब्यूरो द्वारा स्वीकार किया जाता है) और भारतीय मानक ब्यूरो की होगी।

प्रस्ताव या किसी भी अन्य एक फर्म के अन्य व्यक्तियों की ओर से अनुबंध का हिस्सा बनाने दस्तावेज पर हस्ताक्षर करने वाले व्यक्ति संबंधित सभी मामलों में, इस तरह के (व्यक्ति / व्यक्तियों) बाँध के कारण प्राधिकारी या फर्म मामला हो सकता है के रूप में समझा जाएगा अनुबंध करने के लिए। यह पाया जाता है कि संबंधित व्यक्ति इस तरह का कोई अधिकार नहीं है, भारतीय मानक ब्यूरो, किसी भी अन्य सिविल / आपराधिक उपचार पर प्रतिकूल संघात डाले बिना, अनुबंध समाप्त करने और हस्ताक्षरकर्ता और / या ऐसी समाप्ति के लिए सभी लागत और नुकसान के लिए उत्तरदायी फर्म पकड़ सकता है।

3. प्रदर्शन सुरक्षा

विदेशी सप्लायर के लिए: सफल बोलीदाता आदेश से एक राष्ट्रीयकृत / एक बिना शर्त बैंक गारंटी प्रदर्शन आदेश मूल्य के 10% के लिए अनुसूचित बैंक के प्लेसमेंट के 15 दिनों के भीतर प्रस्तुत करेगा। प्रदर्शन सुरक्षा वारंटी दायित्वों सहित आपूर्तिकर्ता के सभी संविदात्मक दायित्वों के पूरा होने की तारीख के बाद 60 दिनों की अवधि के लिए वैध रहेगी। इस हालत और बैंक गारंटी जमा करने की स्वीकृति पर, साख पत्र बीआईएस मुख्यालय में 100% आदेश मूल्य के लिए खोला जाएगा / चिंतित प्रयोगशाला द्वारा। फर्म एक ही प्रस्तुत करने में विफल रहता है, तो अनुबंध समाप्त समझा जाएगा और फर्म के ईएमडी जब्त कर ली जाएगी। / प्रति अनुबंध-5 में संकेत स्वरूप के रूप में प्रदर्शन बैंक गारंटी प्रदर्शन सुरक्षा डीडी / पीओ भारतीय मानक ब्यूरो के पक्ष के रूप में प्रस्तुत किया जाएगा(गाज़ियाबाद/नई दिल्ली पर देय)।

भारतीय प्रदायक के लिए: सफल बोलीदाता प्रस्तुत करेगा, आदेश के स्थान के 15 दिनों के भीतर से एक राष्ट्रीयकृत / एक बिना शर्त बैंक गारंटी प्रदर्शन आदेश मूल्य के 10% के लिए बैंक अनुसूचित, प्रति अनुबंध-5 में संकेत स्वरूप के रूप में। प्रदर्शन सुरक्षा वारंटी दायित्वों सहित आपूर्तिकर्ता के सभी संविदात्मक दायित्वों के पूरा होने की तारीख के बाद साठ दिनों की अवधि के लिए वैध रहेगा।

किसी भी कारण है / इस अनुबंध या किसी अन्य खाने की शर्तों के तहत प्रदायक / ठेकेदार से वसूली योग्य राशि, प्रदर्शन सुरक्षा मामले में की राशि से कटौती की जा सकती, प्रदर्शन सुरक्षा की राशि किसी भी तरह की कटौती की वजह से कम हो जाता है, प्रदायक / ठेकेदार करेगा, पंद्रह (15) भारतीय मानक ब्यूरो से मांग की सूचना प्राप्त होने के कुछ ही दिनों के भीतर, अच्छा घाटा बनाते हैं। मामले में, सुरक्षा प्रदायक / ठेकेदार द्वारा बैंक गारंटी के माध्यम से जमा किया जाता है, तो नष्ट या संयुक्त राष्ट्र नष्ट नुकसान के लिए या किसी भी उल्लंघन या विफलता या अनुबंध के निर्धारण के लिए कोई जुर्माना, पहले बीआईएस के लिए भुगतान नहीं किया है, तुरंत मांग पर भुगतान किया जाएगा के तहत किया और कहा कि गारंटी के मामले में भारतीय मानक ब्यूरो से कहा बैंकरो द्वारा।

इस अनुबंध की अवधि के दौरान, ठेकेदार जुर्माना, दंड के रास्ते और कांटेक्टर, भारतीय मानक ब्यूरो से की वजह से किसी भी अन्य राशि की वसूली के द्वारा इस अनुबंध के तहत अपने दायित्वों को, या किसी अन्य बकाया राशि की वजह से और वफादार प्रदर्शन के डिफॉल्ट में है उसके अन्य अधिकार और उपचार इसके अधीन या लागू कानून पर प्रतिकूल संघात डाले बिना, में फोन को बनाए रखने और प्रदर्शन सुरक्षा उपयुक्त करने का हकदार होगा।

कुछ भी नहीं के साथ साथ उल्लेख ठेकेदार से, के मामले में एक ही उपरोक्त के रूप में एक सूट या किसी अन्य माध्यम से उबरने के लिए किसी भी तरह के नुकसान, क्षति, लागत, शुल्क और खर्च प्रदर्शन सुरक्षा की राशि से अधिक नहीं होगी से बीआईएस वंचित करना होगा।

प्रदर्शन सुरक्षा, यदि कोई हो, सभी विवादों जब तक रखा जाएगा के बीच दोनों दलों के लिए भारतीय मानक ब्यूरो की पूरी संतुष्टि के लिए बस गया है। प्रदर्शन सुरक्षा प्रदान की निम्नलिखित वहाँ ठेकेदार पर बीआईएस का कोई बकाया दावा कर रहे हैं कि पूरा करने की तिथि या इस अनुबंध की समाप्ति की तारीख साठ दिनों के भीतर भारतीय मानक ब्यूरो द्वारा ठेकेदार को लौटा दी जाएगी।

4. अनुबंध दस्तावेज:

कई अनुबंध अनुबंध के गठन दस्तावेजों बीआईएस के प्राधिकृत अधिकारी जो ठेकेदार आवश्यक अनुदेश उस करने के लिए जारी करेगा द्वारा परस्पर अन्य द्वारा एक पार्टी को समझाया के रूप में लिया जाएगा, लेकिन अस्पष्टता या विसंगतियों के मामले में एक ही समझाया किया जाएगा और सामंजस्य और ऐसी स्थिति में जब तक अन्यथा दस्तावेजों अनुबंध के गठन के रूप में इस प्रकार किया जाएगा की प्राथमिकता अनुबंध में प्रदान की:

i) समझौते

ii) अनुबंध के नियम और शर्तों

iii) निविदा सूचना और निविदा दस्तावेज

iv) क्रय आदेश / स्वीकृति का पत्र

v) किसी भी अन्य पत्राचार अनुबंध के संबंध में दोनों पक्षों के बीच आदान-प्रदान किया।

vi) ठेकेदार का प्रस्ताव

5. माल की मात्रा / आपूर्ति / व्यक्तियों के जगह जो आदेश जगह कर सकते..... लिए परीक्षण उपकरण में से एक नंबर। केंद्रीय प्रयोगशाला, भारतीय मानक ब्यूरो में आपूर्ति की जाएगी, पते पर नीचे दिए गए:

प्रमुख (केंद्रीय प्रयोगशाला)

भारतीय मानक ब्यूरो

केंद्रीय प्रयोगशाला, (कें. प्र.)

20/9, साईट IV, साहिबाबाद इंडस्ट्रियल एरिया,

साहिबाबाद – 201010

केंद्रीय प्रयोगशाला के लिए माल क आदेश प्रमुख(केंद्रीय प्रयोगशाला)द्वारा दिया जा सकता जो भारतीय मानक ब्यूरो द्वारा इस अनुबंध के खिलाफ आदेश के लिए अधिकृत है। दोहराएँ आदेश (S), यदि कोई हो, अन्य बीआईएस प्रयोगशालाओं द्वारा प्रयोगशाला के ऊपर कम से लिए संतोषजनक स्थापना और एक परीक्षण उपकरण के चालू होने के बाद दिया जाएगा। सम्बंधित प्रयोगशाला के प्रमुख जो की बी आई एस द्वारा अधिकृत है के द्वारा माल का पुनः आदेश दिया जा सकता है। हालांकि, प्राधिकृत अधिकारी आदेश न दुहराने के अधिकार को सुरक्षित रखते हैं।

6. परिवहन:

आपूर्तिकर्ता उपकरण भारत सरकार के दिशा-निर्देशों के अनुसार जहां लागू उद्धृत के लिए एक आयात लाइसेंस होने सुनिश्चित करने के लिए आवश्यक है। माल स्थलों नीचे खण्ड 8 में निर्दिष्ट में वितरित किया जाएगा और लोडिंग, अनलोडिंग और परिवहन शामिल होगा। माल परिवहन के दौरान क्षतिग्रस्त ठेकेदार के भी कीमत पर प्रतिस्थापित किया जा करना होगा। बीआईएस के रूप में लागू आयातित वस्तुओं के लिए सीमा शुल्क छूट प्रमाणपत्र प्रदान करेगा और सफल बोली लगाने के लिए आवश्यक सीमा शुल्क निकासी के लिए जिम्मेदार होंगे।

7. माल की गुणवत्ता:

ठेकेदार द्वारा आपूर्ति की जाने वाली सभी वस्तुओं के इस बोली के अनुबंध -3 तकनीकी विशिष्टताओं के अनुरूप होगी।

8. माल गंतव्य:

प्रमुख (केंद्रीय प्रयोगशाला)

भारतीय मानक ब्यूरो

केंद्रीय प्रयोगशाला, (कें. प्र.)

20/9, साईट IV, साहिबाबाद इंडस्ट्रियल एरिया,

साहिबाबाद – 201010

ख) दोहराए गए आदेश के लिए यदि दोहराए गए :

i) प्रमुख, ----- प्रयोगशाला
भारतीय मानक ब्यूरो

-----, पिन -----

ii) प्रमुख, ----- प्रयोगशाला
भारतीय मानक ब्यूरो

-----, पिन -----

iii) प्रमुख, ----- प्रयोगशाला
भारतीय मानक ब्यूरो

-----, पिन -----

9. स्थापना और कमीशनिंग: स्थापना और उपकरणों के कमीशन परेषिती के परिसर में से चार्ज के सप्लायर मुफ्त में किया जाएगा। आपूर्तिकर्ता श्रम और दूसरों के लिए व्यवस्था करने के लिए है।

10. वारंटी

10.1 सभी महत्वपूर्ण घटकों / सामान के साथ उपकरणों की स्थापना के बाद तीन वर्ष की एक न्यूनतम अवधि के लिए परेशानी मुक्त प्रदर्शन के लिए गारंटी की जानी है। वित्तीय बोली के मूल्यांकन के प्रयोजन के लिए उपकरणों की लागत को जोड़ा जाएगा - वारंटी अवधि तीन साल से कम है, तो व्यापक वार्षिक रखरखाव अनुबंध शेष अवधि (वास्तविक वारंटी अवधि के हवाले से तीन वर्ष) के लिए शुल्क।

10.2 दोष, यदि कोई हो, वारंटी अवधि के दौरान साइट पर मुफ्त प्रतिस्थापन की व्यवस्था की, जहां आवश्यक प्रभार से मुक्त सुधारा जाएगा। वारंटी अवधि के अंतिम छह महीनों में शिकायतों, ऐसा न करने पर वारंटी अवधि अगले छह महीने के लिए बढ़ा दी हो जाएगा से मुक्त हो जाएगा।

11. नि: शुल्क प्रशिक्षण

प्रशिक्षण, की लागत से मुक्त स्थापना के बाद, नियमित रखरखाव और उपकरणों के सुचारू चलाने के लिए कम से कम दो बीआईएस अधिकारियों के आपूर्तिकर्ता द्वारा प्रदान किया जाएगा और स्थान पर कमीशन।

12. निरीक्षण / पूर्व-वितरण निरीक्षण

बीआईएस डिलीवरी के समय पूर्व वितरण निरीक्षण / निरीक्षण बाहर ले जाने का अधिकार सुरक्षित रखता है। दायित्व विनिर्देशन के अनुरूप माल की आपूर्ति करने के लिए और इसके सफल स्थापना और कमीशनिंग आपूर्तिकर्ता पर किया जाएगा।

प्राधिकृत अधिकारी का निरीक्षण किया और बीआईएस के लिए या तो कारखाने, गोदाम पर या किसी भी जगह (ओं) जहां इन पर झूठ बोल रहे हैं या जिसमें से ये प्राप्त किया जा रहा है और आपूर्तिकर्ता के रूप में हो सकता है इस तरह की सुविधा प्रदान करेगा आपूर्ति की जा करने का इरादा माल की जांच करने का हकदार होगा इस तरह के निरीक्षण और परीक्षा के लिए आवश्यक हो। माल निर्दिष्ट आवश्यकताओं के अनुसार के रूप में नहीं पाए जाते हैं, खरीद के आदेश को रद्द कर दिया जाएगा और उसके बाद बीआईएस खुले बाजार से माल खरीद करने के लिए स्वतंत्र होगा। बीआईएस किसी भी तरह के गैर अनुरूप माल के लिए किसी भी भुगतान नहीं करना होगा।

सभी वस्तुओं अधिमानतः आपूर्तिकर्ता की उपस्थिति या उसके अधिकृत प्रतिनिधि, जब संकुल वितरण पर बीआईएस प्रयोगशालाओं में खोला गया और स्थापना करने से पहले कर रहे हैं में भारतीय मानक ब्यूरो द्वारा निरीक्षण किया जाएगा। भारतीय मानक ब्यूरो के निर्णय बाध्यकारी होगा। / अस्वीकृत कर माल अस्वीकृत आइटम / माल / दुकानों ऐसे माल को हटाने के लिए नोटिस प्राप्त होने के

30 दिनों के भीतर अपनी लागत और जोखिम पर आपूर्तिकर्ता से हटा दिया जाएगा, और कोई दायित्व, जो भी, बीआईएस पर खारिज के लिए संलग्न किया जाएगा / मर्दों / भंडारा। अस्वीकार कर माल को दूर करने में आपूर्तिकर्ता की ओर से चूक के मामले में भारतीय मानक ब्यूरो के प्राधिकृत अधिकारी आजादी होगी उन्हें अन्य तरीकों से हटा दिया है। प्राधिकृत अधिकारी पूर्ण शक्तियों को खारिज कर दिया माल के प्रतिस्थापन के लिए अन्य साधनों के माध्यम से अन्य वस्तुओं की खरीद करने के लिए किया जाएगा। सभी लागत, जो इस तरह हटाने और / या प्रतिस्थापन पर खर्च हो सकता है, सप्लायर द्वारा वहन किया जाएगा।

प्राधिकृत अधिकारी, नमूने के अनुरूप नहीं है, यदि कोई हो, भारतीय मानक ब्यूरो द्वारा अनुमोदित किसी भी या जो संविदा की विशिष्टताएं या जो के अनुसार नहीं हैं आपूर्ति की वस्तुओं के सभी को हटाने के बारे में फैसला करने के लिए पूर्ण अधिकार होगा।

13. आपूर्ति, स्थापना और कमीशन के लिए समय है।

13.1 वितरण के समय, सफल स्थापना और कमीशन के लिए अनुमति खरीद आदेश (पीओ) की तारीख से 8 सप्ताह होगी। विदेशी आपूर्तिकर्ताओं के मामले में, वितरण, सफल स्थापना और कमीशन की तारीख क्रेडिट (एलओसी) के पत्र के उद्घाटन के 8 सप्ताह के भीतर हो जाएगा।

13.2 विलंबित आपूर्ति के लिए नष्ट हर्जाना: समय और माल की डिलीवरी की तारीख आदेश में निर्धारित के रूप में अनुबंध का सार होना समझा जाएगा। डिलीवरी की तारीख से परे आदेश के निष्पादन में देरी के मामले में आदेश में निर्धारित के रूप में या किसी भी एक्सटेंशन प्राधिकृत अधिकारी द्वारा मंजूर की, भारतीय मानक ब्यूरो मई उनके विकल्प पर या तो: -

13.3.1 उसके कुल आदेश मूल्य का 10% की एक अधिकतम करने के लिए सीमित देरी या भाग के हर सप्ताह के लिए वितरित नहीं किसी भी सामान के मूल्य का एक प्रतिशत (1%) के लिए एक बराबर राशि से कम कीमत पर देरी वितरण स्वीकार करें।

13.3.2 आदेश रद्द हिस्सा या भरा हुआ है और इस तरह के रद्द मात्रा में वितरित माल के संबंध में अपने अधिकार पर प्रतिकूल संघात डाले बिना अकाउंट और बोली लगाने के जोखिम में कहीं और से खरीद।

13.4 विलंबित स्थापना और कमीशन के लिए नष्ट हर्जाना: स्थापना में देरी के मामले में और अवधि से परे कमीशन ऊपर 13.1 में निर्धारित की गई या किसी एक्सटेंशन को मंजूरी दी, भारतीय मानक ब्यूरो मई उनके विकल्प पर या तो:

13.4.1 देरी स्थापना और स्वीकारें किसी भी माल नहीं स्थापना के मूल्य का एक प्रतिशत (1%) के लिए एक बराबर राशि से कम हो और देरी या भाग के हर सप्ताह के लिए कमीशन की कीमतों में उसके कुल का 10% की एक अधिकतम करने के लिए सीमित पर कमीशन ऑर्डर का मूल्य।

13.4.2 आदेश रद्द हिस्सा या भरा हुआ है और इस तरह के रद्द मात्रा में वितरित माल के संबंध में अपने अधिकार पर प्रतिकूल संघात डाले बिना अकाउंट और बोली लगाने के जोखिम में कहीं और से खरीद।

14. जोखिम खरीद

मामले में ठेकेदार मात्रा में वितरित करने के लिए के रूप में वितरण कार्यक्रम में निर्धारित विफल रहता है, बीआईएस जोखिम, लागत और ठेकेदार की जिम्मेदारी पर वैकल्पिक स्रोतों से एक ही है या इसी तरह के सामान की खरीद करने का अधिकार सुरक्षित रखता है।

15. जुर्माना / दंड

एक आदेश के बाद इस जांच के जवाब में प्राप्त उद्धरण के खिलाफ रखा जा रहा है कि यदि यह पाया जाता है कि माल की आपूर्ति की सही गुणवत्ता के हैं या नहीं विनिर्देशों भारतीय मानक ब्यूरो द्वारा की आवश्यकता है या क्षतिग्रस्त में प्राप्त या टूट हालत या अन्यथा संतोषजनक नहीं करने के कारण के अनुसार नहीं किसी भी कारण से जो बीआईएस एकमात्र जज हो जाएगा, बीआईएस माल को अस्वीकार करने, अनुबंध को रद्द करने और खुले बाजार में अपनी आवश्यकताओं को खरीदने के लिए और, यदि कोई हो, नुकसान की वसूली आपूर्तिकर्ता खुद को सुरक्षा अर्थदंड करने के लिए सही आरक्षित से हकदार होगा जमा, यदि कोई हो, अनुबंध के खिलाफ आपूर्तिकर्ता द्वारा दी गई। आपूर्तिकर्ता अनुदेश के 30 दिनों के भीतर खारिज कर माल को दूर करने के लिए अपनी स्वयं की व्यवस्था ऐसा करने के लिए कर देगा। इसके बाद, वे पूरी तरह से आपूर्तिकर्ताओं जोखिम और जिम्मेदारियों और भंडारण शुल्क लागू किसी अन्य आरोपों के साथ-साथ आपूर्तिकर्ता से वसूली होगी झूठ होगा।

16. भुगतान की शर्तें:

क) भुगतान की शर्तें हैं: सफल बोलीदाता आदेश मूल्य के 10% के लिए एक राष्ट्रीयकृत / अनुसूचित बैंक से, क्रम में एक प्रदर्शन सुरक्षा की नियुक्ति की 15 दिनों में साथ प्रस्तुत करेगा। प्रदर्शन सुरक्षा वारंटी दायित्वों सहित आपूर्तिकर्ता के सभी संविदात्मक दायित्वों के पूरा होने की तारीख के बाद 60 दिनों की अवधि के लिए वैध रहेगी। इस हालत और प्रदर्शन सुरक्षा प्रस्तुत करने की स्वीकृति पर, भाग- III के 3 के रूप में दी, ऋण पत्र 100% आदेश मूल्य के लिए खोला जाएगा (कृपया पेज 15 देखें)। फर्म एक ही प्रस्तुत करने में विफल रहता है, तो अनुबंध समाप्त समझा जाएगा और फर्म के ईएमडी जब्त कर ली जाएगी। प्रदर्शन सुरक्षा के रूप में प्रस्तुत किया जाएगा भारतीय मानक एक डीडी / पीओ पक्ष ब्यूरो (गाज़ियाबाद/नई दिल्ली पर देय) / प्रति अनुबंध-5 में संकेत स्वरूप के रूप में प्रदर्शन बैंक गारंटी।

ख) विदेशी आपूर्तिकर्ताओं को भुगतान:

(i) आयातित वस्तुओं के लिए भुगतान: 80% भुगतान क्रेडिट बीआईएस मुख्यालय में आपूर्तिकर्ता के पक्ष में स्थापित की एक अटल पत्र द्वारा किया जाएगा / चिंतित बीआईएस प्रयोगशाला द्वारा, मूल शिपिंग दस्तावेजों की प्रस्तुति के खिलाफ आदेश मूल्य के लिए कि प्रदर्शन प्रदान की आदेश के स्थान के 15 दिनों के भीतर आदेश मूल्य के 10% के लिए सुरक्षा बीआईएस को दिया जाता है। प्राप्त वस्तुओं के आदेश मूल्य का 20% और माल की प्राप्ति के सफल स्थापना के 30 दिनों के भीतर भुगतान किया जाएगा, कमीशन और प्रदर्शन सुरक्षा के साथ-साथ क्रेता द्वारा जारी स्वीकृति प्रमाण पत्र द्वारा समर्थित दावे के जमा पर प्रशिक्षण।

ii) स्वदेशी वस्तुओं के लिए भुगतान: 100% भुगतान स्थल पर और प्रदान की खरीद आदेश के अनुसार स्वीकृति पर वितरण, स्थापना, कमीशन, प्रशिक्षण के खिलाफ किया जाएगा, उस क्रम मूल्य के 10% के लिए प्रदर्शन सुरक्षा, की नियुक्ति की 15 दिनों के भीतर आदेश बीआईएस को दिया जाता है।

ग) भारतीय आपूर्तिकर्ताओं के लिए भुगतान: 100% भुगतान, साइट पर और प्रदान की खरीद आदेश के अनुसार स्वीकृति पर वितरण, स्थापना, कमीशन, प्रशिक्षण के खिलाफ किया जाएगा कि आदेश मूल्य के 10% के लिए प्रदर्शन सुरक्षा, की नियुक्ति की 15 दिनों के भीतर आदेश बीआईएस को दिया जाता है।

17. करों

करों जहाँ भी भारतीय मानक ब्यूरो द्वारा कटौती की जाएगी लागू हो।

18. क्षतिपूर्ति:

ठेकेदार क्षतिपूर्ति करने और चोटों या किसी व्यक्ति या किसी भी संपत्ति है जो किसी भी प्रकार के बाहर या अनुबंध के परिणाम में और और सभी का दावा, मांग, कार्यवाही, नुकसान, लागत, आरोपों के खिलाफ पैदा हो सकता है के लिए क्षति के लिए सभी घाटा और दावों के खिलाफ क्षतिपूर्ति बीआईएस रखना होगा खर्च के लिए जो भी की या विभिन्न श्रम कानूनों के प्रावधानों के तहत बहां संबंध में संबंध में समय-समय पर संशोधित।

ठेकेदार, क्षतिपूर्ति की रक्षा और किसी भी पेटेंट, ट्रेडमार्क, कॉपीराइट आदि या ऐसे अन्य वैधानिक उल्लंघन के उल्लंघन से उत्पन्न सभी दावों, हानि, लागत हर्जाना, खर्च, कार्रवाई सूट और अन्य कार्यवाही के खिलाफ बीआईएस बचाने के लिए, करेगा।

19. भ्रष्ट या धोखाधड़ी प्रथाओं

बीआईएस की आवश्यकता है कि इस बोली के तहत बोलीदाताओं खरीद और ऐसे अनुबंधों के निष्पादन के दौरान नैतिकता के उच्चतम मानकों का पालना।

बीआईएस पुरस्कार के लिए एक प्रस्ताव को अस्वीकार कर देंगे, तो यह निर्धारित करता है कि ठेकेदार के दौरान या अनुबंध की अवधि के बाद, इससे पहले कि भ्रष्ट या धोखाधड़ी के व्यवहारों में लिप्त है; बीआईएस ठेकेदार अयोग्य आयोजित करेगा एक अनुबंध से सम्मानित किया जाएगा, या तो अनिश्चित काल के लिए या ठेकेदार अयोग्य घोषित करने की तारीख से 24 महीने की अवधि के लिए यदि निर्धारित करता है यह किसी भी समय है कि ठेकेदार के लिए प्रतिस्पर्धा में भ्रष्ट और धोखाधड़ी प्रथाओं में लगा हुआ है, या अनुबंध को क्रियान्वित करने में।

20. भारतीय मानक ब्यूरो के आदेश को समाप्त कर सकता है, अगर

(क) ठेकेदार दिवालिया हो जाता है;

- (ख) एक रिसीवर, प्रशासक, न्यासी या परिसमापक अपनी संपत्ति का एक बड़ा हिस्सा खत्म नियुक्त किया जाता है;
- (ग) किसी भी कार्य किया जाता है या घटना ठेकेदार या अपनी संपत्ति है, जो किसी भी लागू कानून के तहत काफी हद तक समान संघात पड़ता है पूर्वगामी के किसी भी कृत्य या घटनाओं के लिए सम्मान के साथ होता है;
- (घ) माल की गुणवत्ता में गंभीर विसंगति निरीक्षण के दौरान देखा जाता है।
- (ई) के वितरण के निर्धारित तारीख से परे डिलीवरी में देरी के क्रम में निर्धारित की गई या किसी एक्सटेंशन को मंजूरी दी है।
- (च) की स्थापना में और अवधि से परे कमीशन देरी निर्धारित की गई या किसी एक्सटेंशन को मंजूरी दी।
- (छ) ठेकेदार किसी भी कानून या क्रानून का सामान / सेवाओं की आपूर्ति के शासी के उल्लंघन में है, तो;
- (ज) भारतीय मानक ब्यूरो के फैसले में ठेकेदार, के लिए या अनुबंध के तहत सेवा से बाहर ले जाने में प्रतिस्पर्धा में भ्रष्ट या धोखाधड़ी के व्यवहारों में लिप्त है।
- (झ) ठेकेदार स्वैच्छिक या अनैच्छिक दिवालियापन या परिसमापन में प्रवेश करती है।

यह भी वैध बीआईएस बिना कोई कारण बताए और नुकसान या क्षति जो ठेकेदार, ऐसी समाप्ति की वजह से पीड़ित हो सकता है ठेकेदार देने के 15 दिनों तक के लिए उत्तरदायी होने के बिना किसी भी समय समझौते को समाप्त करने के लिए किया जाएगा इस तरह के लिए भारतीय मानक ब्यूरो द्वारा लिखित रूप में नोटिस समापन। इस तरह के किसी भी समापन अनुबंध के तहत भारतीय मानक ब्यूरो के किसी अन्य अधिकार पर प्रतिकूल संघात डाले बिना किया जाएगा।

21. प्रचार: ठेकेदार जिसमें भारतीय मानक ब्यूरो के नाम का इस्तेमाल किया जा रहा है द्वारा किसी भी प्रचार, साथ ही किया जाना चाहिए भारतीय मानक ब्यूरो के स्पष्ट लिखित अनुमति।

22. विवाद, मध्यस्थता और कानूनी अधिकार क्षेत्र: भारतीय मानक ब्यूरो और ठेकेदार प्रत्यक्ष अनौपचारिक बातचीत, किसी भी असहमति या विवाद के तहत या अनुबंध के संबंध में उन दोनों के बीच उत्पन्न होने से सौहार्दपूर्ण ढंग से हल करने के लिए हर संभव प्रयास करना होगा।

किसी भी तरह की एक विवाद (S) है कि एक ही हल नहीं किया जा सकता है पंच, महानिदेशक, भारतीय मानक ब्यूरो, नई दिल्ली द्वारा नियुक्त करने के लिए भेजा जाएगा, यदि भारतीय मध्यस्थता और सुलह अधिनियम के प्रावधानों, 1996 से लागू होंगे।

कोई वाद या प्रदर्शन या अनुबंध के उल्लंघन से संबंधित अन्य कार्यवाही नई दिल्ली, जहां भारतीय मानक ब्यूरो के मुख्यालय स्थित है क्षेत्राधिकार रखने सक्षम अदालतों को छोड़कर कानून के किसी भी न्यायालय में दायर की जाएगी या लिया ठेकेदार द्वारा।

23.सेवारत नोटिस मोड: अनुबंध में निर्दिष्ट दलों के बीच संचार जब केवल लिखित रूप में कर रहे हैं तभी प्रभावी है। एक नोटिस केवल तभी प्रभावी है जब यह दिया जाएगा। सभी सूचनाएं भारतीय मानक ब्यूरो के अधिकृत अधिकारी द्वारा जारी किया जाएगा जब तक अन्यथा अनुबंध में प्रदान की है। मामले में नोटिस अंतिम ज्ञात जगह या निवास या ठेकेदार के व्यवसाय के लिए पंजीकृत डाक द्वारा भेज दिया जाता है, यह तारीख पर कार्य किया गया है जब पोस्ट के सामान्य पाठ्यक्रम में इन पर कार्य किया गया होता या वितरित करने के लिए समझा जाएगा यह।

24. शासी भाषा: पूरे अनुबंध और संचार के लिए भाषा का शासी उसके अंग्रेजी और / या हिन्दी ही होगी। किसी भी विवाद के मामले में, अंग्रेजी संस्करण मान्य होगा।

25 कानून: अनुबंध शासित और भारतीय कानूनों के तहत व्याख्या की जाएगी।

26. स्टॉप ड्यूटी: ठेकेदार आपूर्ति के संबंध में किसी भी स्टाम्प शुल्क और पंजीकरण शुल्क का भुगतान यदि कोई हो, करेगा।

27. प्राधिकृत अधिकारी: बीआईएस की ओर से अधिकृत अधिकारी निविदा आमंत्रित करने वाली बीआईएस प्रयोगशाला के प्रमुख अर्थात् केंद्रीय प्रयोगशाला होंगे। किसी भी अन्य बीआईएस प्रयोगशाला के द्वारा पुनः आदेश देने के मामले में उस प्रयोगशाला के प्रमुख अधिकृत अधिकारी माने जायेंगे।

28. बीआईएस और ठेकेदार द्वारा उपयोग के लिए मानक फॉर्म:

अनुबंध- 5 बैंक गारंटी बांड

अनुबंध- 6 अनुबंध समझौते फार्म

अनुबंध -5
बैंक गारंटी बांड की फार्म

1 भारतीय मानक ब्यूरो (बाद में कहा जाता है, 'ब्यूरो') के विचार में _____ छूट देने पर सहमति व्यक्त की होनेके बीच बना दिनांकित एक समझौते के नियमों और शर्तों के तहत मांग _____ से (बाद में कहा जाता है, "ने कहा कि ठेकेदार (ठेकेदार) _____ और _____ के लिए _____ (बाद में रुपये के लिए एक बैंक गारंटी के उत्पादन पर नियम और कहा कि समझौते में निहित शर्तों के बारे में कहा कांटेक्टर (s) द्वारा की वजह से पूर्ति के लिए सुरक्षा जमा की "कहा समझौते का आह्वान किया। _____ (रु _____

मात्र) हम, (बैंक के नाम का संकेत के रूप में _____ (बाद में) करने के लिए भेजाके अनुरोध पर 'बैंक') _____ [(ठेकेदार (ठेकेदार) इसके द्वारा किसी भी नुकसान के खिलाफ _____। रुपये से अधिक नहीं ब्यूरो राशि का भुगतान करने का वचन या मांग के कारण होता है या नुकसान उठाना पड़ा है या कहा ठेकेदार द्वारा करने के कारण होता है या किसी भी उल्लंघन की वजह से ब्यूरो द्वारा पीड़ित किया जाएगा (एस) ने कहा समझौते में निहित नियम या शर्तों में से कोई भी हो ।

2 हम _____ एतद्वारा करना (बैंक का नाम संकेत मिलता है)

और दावा भी किया है कि राशि के लिए कारण नुकसान या क्षति के माध्यम से की वजह से है या ब्यूरो द्वारा करने के कारण होता है या नुकसान उठाना पड़ा होगा कि केवल बताते हुए भारतीय मानक ब्यूरो से मांग पर होने के कारण और किसी भी बिना हिचकिचाते इस गारंटी के तहत देय राशि का भुगतान करने का वचन शब्दों या कहा समझौते में निहित शर्तों के किसी भी कहा कांटेक्टर (एस) द्वारा या कहा समझौते को करने के लिए ठेकेदार (ठेकेदार) की विफलता के कारणों की उल्लंघन की वजह से। इस गारंटी के तहत बैंक द्वारा देय राशि और देय के रूप में संबंध तट पर गई ऐसी कोई मांग निर्णायक होगा। हालांकि, इस गारंटी के तहत हमारे दायित्व एक राशि रुपये से अधिक नहीं करने के लिए प्रतिबंधित कर दिया जाएगा।

3 हम ब्यूरो के लिए भुगतान करने का कार्य किसी भी पैसा इसलिए किसी भी सूट में ठेकेदार (एस) / प्रदायक (एस) द्वारा उठाए गए या कार्यवाही किसी न्यायालय या अधिकरण संबंधित इस वर्तमान के तहत हमारे दायित्व पूर्ण किया जा रहा है इस के सिवा और के समक्ष लंबित किसी भी विवाद या विवादों के बावजूद मांग की स्पष्ट।

इस बांड के तहत हमारे द्वारा किए गए भुगतान के तहत वहाँ भुगतान के लिए हमारे दायित्व का एक मान्य मुक्ति और कांटेक्टर (एस) / प्रदायक (एस) इस तरह के भुगतान करने के लिए हमारे खिलाफ कोई दावा नहीं होगा किया जाएगा।

4 हम _____ आगे की गारंटी है कि इस बात से सहमत (बैंक का नाम संकेत मिलता है) इस के साथ साथ कहा समझौते के प्रदर्शन के लिए ले जाया जाएगा उस अवधि के दौरान पूरी शक्ति और संघात में रहेगा रखी जाती है और यह पूरी तरह से भुगतान किया गया है के तहत या कहा समझौते के आधार पर ब्यूरो के सभी बकाया राशि तक लागू करने योग्य बना रहेगा कि और अपने दावे से संतुष्ट या छुट्टी दे या ब्यूरो (सामान्य प्रशासन विभाग) के प्राधिकृत अधिकारी तक पूरी तरह से और ठीक से कहा समझौते के हिसाब से है ने कहा कि ठेकेदार (एस) द्वारा किया जाता है और कहा समझौते के नियमों और शर्तों को दिया गया है कि प्रमाणित करता है पूरी तरह से और ठीक से कहा कांटेक्टर (एस) द्वारा किया जाता है और उसके अनुसार इस गारंटी निर्वहन किया। इस गारंटी के तहत एक मांग या दावा है जब तक पर या हम सब से छुट्टी दे दी जाएगी पहले लिखित रूप में हम पर बनाउसके बाद इस गारंटी के तहत दायित्व होगा ।

5 हम आगे ब्यूरो उस के साथ सहमत(बैंक का नाम संकेत मिलता है) ब्यूरो हमारी सहमति के बिना और किसी भी रूप में प्रभावित किए बिना पूरी स्वतंत्रता है उक्त समझौते के नियमों और शर्तों के किसी भी भिन्न करने के लिए या समय के लिए या करने के लिए समय से उक्त ठेकेदार (एस) द्वारा प्रदर्शन करने के लिए समय का विस्तार करने के लिए इसके अंतर्गत अपने दायित्वों कहा कांटेक्टर (एस) और पूर्वज या नियम और कहा कि समझौते से संबंधित शर्तों के किसी भी लागू करने और हम से हमारे दायित्व से मुक्त किया जा नहीं करेगा करने के खिलाफ ब्यूरो द्वारा शक्तियों के किसी भी किसी भी समय के लिए या समय-समय पर स्थगित किसी भी तरह के बदलाव, या विस्तार के कारण कहा कांटेक्टर (S) या ब्यूरो या कहा कांटेक्टर (एस) के ब्यूरो द्वारा किसी भी भोग की ओर से किसी भी धैर्य, कार्य या कमीशन के लिए करने के लिए या ऐसे किसी भी बात से या दी जा रही है बात है लेकिन इस प्रावधान के लिए है, तो हमें राहत का संघात होता है sureties के लिए संबंधित कानून के तहत जो भी हो ।

6 इस गारंटी की वजह से बैंक या ठेकेदार (एस) / प्रदायक (एस) के संविधान में परिवर्तन करने के लिए छुट्टी दे नहीं किया जाएगा।

7 हम अंत में इस रद्द करने के लिए नहीं शुरू(बैंक का नाम संकेत मिलता है) लेखन में ब्यूरो की पूर्व सहमति के साथ छोड़कर अपनी मुद्रा के दौरान की गारंटी। 20 का दिन दिनांकित के लिए(बैंक का नाम संकेत मिलता है)

अनुबंध- 6

अनुबंध प्रपत्र

करार

----- एस एम / बीच _____ के दिन (नाम और पता ----- इस पर किए गए इस समझौते) ठेकेदार की (बाद में यह संदर्भ के प्रतिकूल या उसके अर्थ हो, जब तक, इसका मतलब यह समझा जाएगा जो अभिव्यक्ति ठेकेदार के रूप में भेजा है और उसके उत्तराधिकारियों और प्रदान) एक हिस्सा है और भारतीय मानक ब्यूरो, 9 में शामिल —बहादुर शाहजफर मार्ग, नईदिल्ली -110002 अन्य भाग के (बाद में यह संदर्भ के प्रतिकूल या उसके अर्थ हो, जब तक, मतलब समझा और उसके उत्तराधिकारियों और प्रदान शामिल किया जाएगा जो अभिव्यक्ति ब्यूरो, के रूप में करने के लिए कहा गया है)।

बोलीदाता एक ----- है, जबकि (व्यवसाय का विवरण) और ब्यूरो जबकि संसद द्वारा पारित एक निगमित निकाय है। ब्यूरो _____ दर अनुबंध के आधार पर _____, इसलिए, निविदा के माध्यम से जांच के लिए आमंत्रित किया बोलियां दिनांकित खरीद करने के लिए करना चाहता है। बोलीदाता (सफल बोलीदाता) बोली दस्तावेज के अनुसार अपनी बोली खबरदार _____ प्रस्तुत की और अनुबंध की कीमतों पर बोली लगाने की प्रक्रिया और बातचीत के अनुसार 'सफल बोलीदाता' के रूप में चयनित किया गया था जबकि, 'स्वीकृति पत्र' (एलओए) कोई सम्मानित किया . _____ पर बोलीदाता को। इस के साथ साथ उल्लेख के रूप में दोनों पक्षों के नियम और शर्तों का पालन करने के लिए सहमत हैं।

"निविदा दस्तावेज की भाग-III (अनुबंध की शर्तों)"।

(संविदाकार का हस्ताक्षर)

(ब्यूरो के प्राधिकृत अधिकारी का हस्ताक्षर)

नाम _____

नाम _____

पदनाम _____ पदनाम _____

पता _____

पता _____

फ़र्म/कंपनी की सील

ब्यूरो की सील

गवाह:

गवाह:

हस्ताक्षर

हस्ताक्षर

गवाही का नाम _____

गवाही का नाम _____

पता _____

पता _____

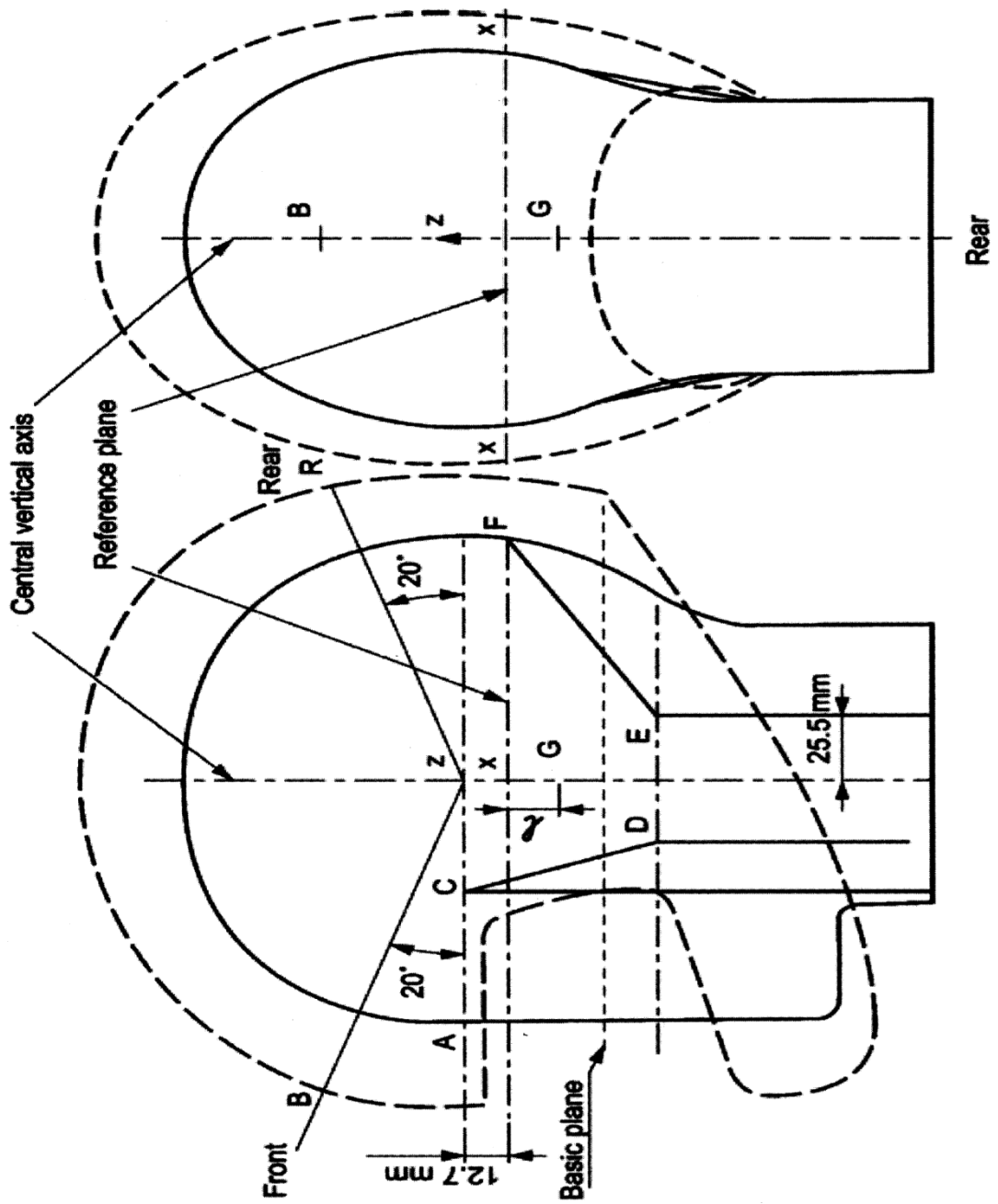


FIG. 1 IDENTIFICATION OF IMPACT POINTS

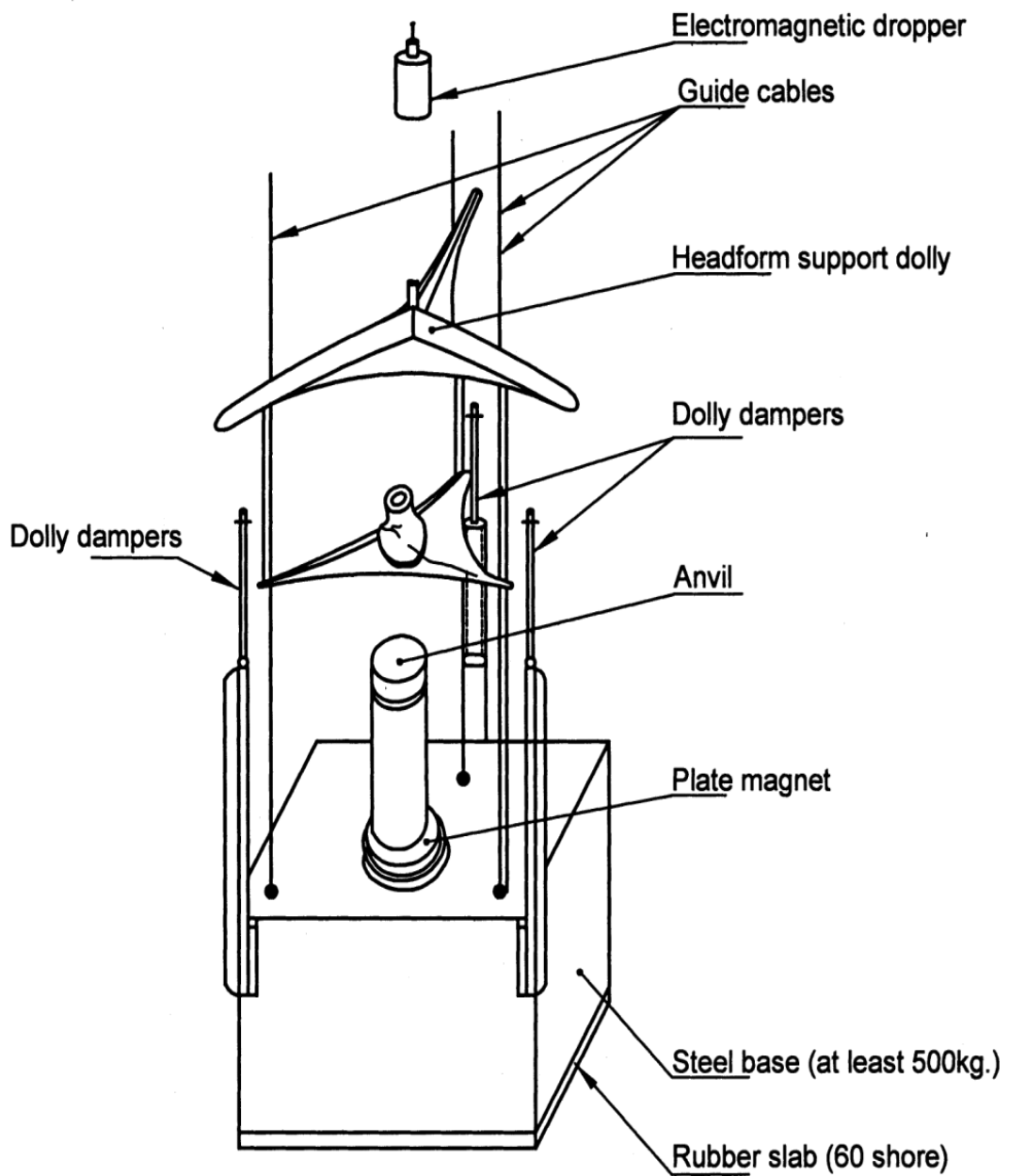
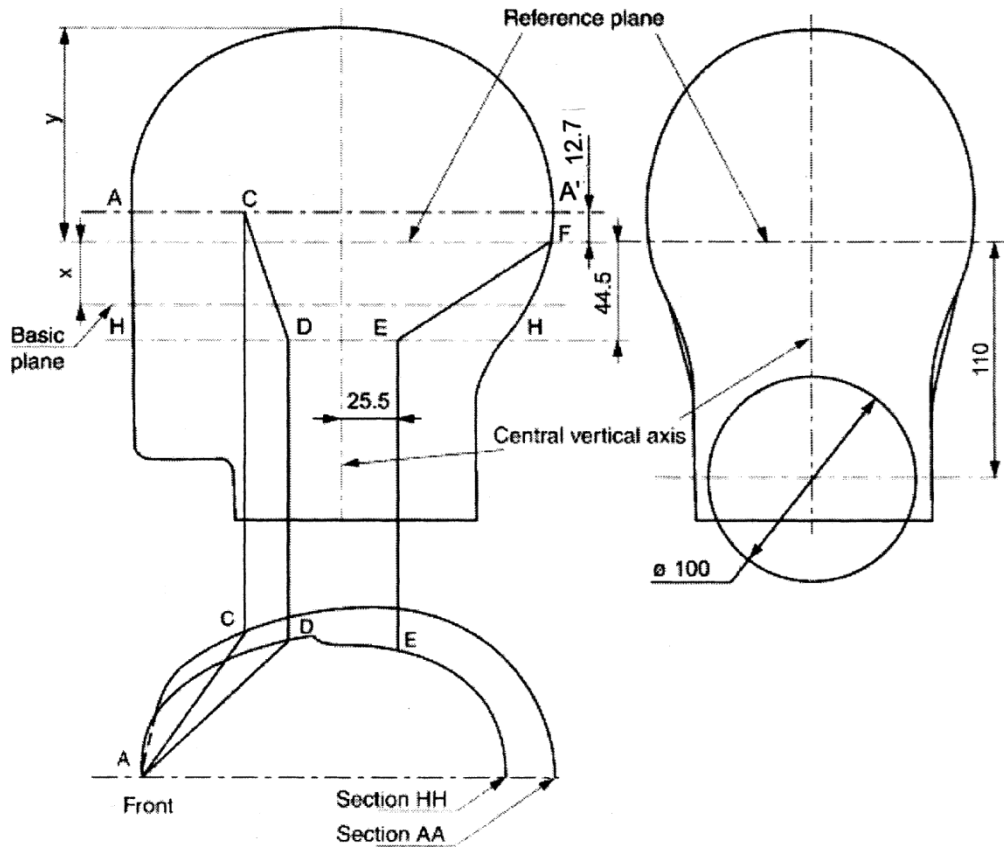


FIG. 2 TEST MACHINE HEAD FORM DROP ASSEMBLY

HEADFORMS



Headforms	Size	X	Y	AC	HD
A	500	24	90	80	88
C	520	25	93	82	90
E	540	26	96	84	92
G	560	27	99	86	94
J	570	27.5	102.5	87	95
K	580	28	104	88	96
M	600	29	107	90	98
O	620	30	110	92	100

NOTE — For details see Annex-TS-1 and Annex-TS- 2.

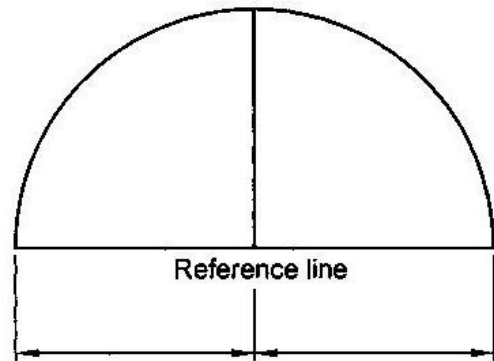
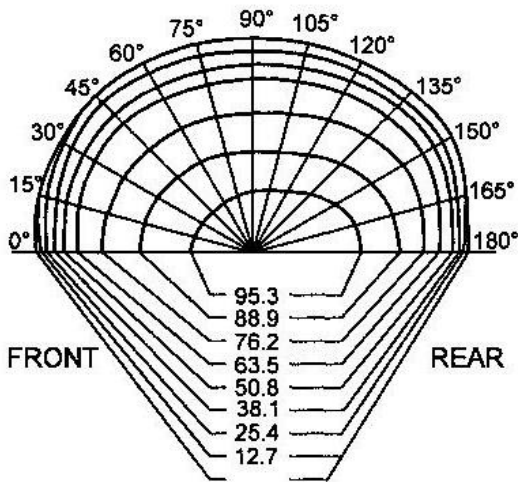
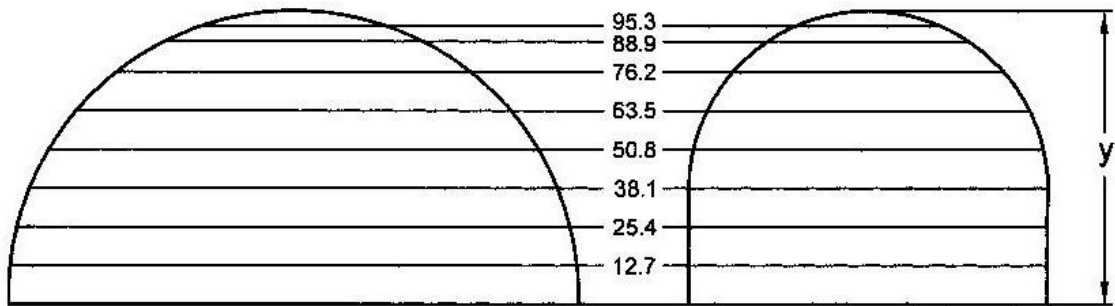
All dimensions in millimetres.

FIG. 3 MINIMUM EXTENT OF PROTECTION

ANNEX-TS-1

REFERENCE HEADFORMS

(Above Reference Plane)



All dimensions in millimetres.

FIG. REFERENCE HEADFORMS
(SHAPE, DIMENSIONS ABOVE REFERENCE PLANE)

<i>Headform A</i>													(Dimensions in millimetres.)	
<i>Height Above Reference Line</i>	0° Front	15°	30°	45°	60°	75°	90°	105°	120°	135°	150°	165°	180° Rear	
0	88.1	86.4	83.1	75.4	69.9	66.8	66.5	69.3	73.4	78.8	84.1	87.6	88.1	
12.7	86.9	85.3	83.1	75.4	69.9	66.8	66.5	69.3	73.4	78.8	84.1	87.6	88.1	
25.4	84.6	83.6	82.3	75.4	69.9	66.8	66.5	69.3	73.4	78.8	84.1	86.1	86.1	
38.1	80.8	80.3	79.5	72.9	67.6	65.3	65.0	67.6	71.6	76.5	81.3	82.8	82.8	
50.8	74.7	74.4	74.0	68.1	63.2	61.0	60.7	63.2	66.8	71.6	73.7	76.7	76.7	
63.5	64.8	64.8	64.8	59.9	55.6	53.3	53.1	55.4	59.2	63.5	67.6	67.6	67.6	
76.2	45.7	45.7	45.5	43.4	41.4	40.4	40.4	42.4	46.2	50.5	54.6	54.6	54.6	
82.6	31.0	31.2	31.2	31.0	30.0	29.7	30.2	32.5	36.1	40.4	43.9	44.5	44.5	

Dimension: Y: 89.7 mm – Head circumference : 500 mm

<i>Headform C</i>													(Dimensions in millimetres.)	
<i>Height Above Reference Line</i>	0° Front	15°	30°	45°	60°	75°	90°	105°	120°	135°	150°	165°	180° Rear	
0	91.2	89.7	86.1	78.7	72.6	69.9	69.6	72.4	76.7	82.0	87.4	90.4	91.2	
12.7	89.9	88.6	86.1	78.7	72.6	69.9	69.6	72.4	76.7	82.0	87.4	90.4	91.2	
25.4	87.6	87.1	85.3	78.7	72.6	69.9	69.6	72.4	76.7	82.0	87.4	89.2	89.9	
38.1	84.6	83.8	82.3	76.5	70.6	68.1	68.1	70.6	74.7	79.8	84.3	85.6	86.4	
50.8	78.5	78.2	77.5	72.4	66.5	64.3	64.3	66.5	70.4	75.4	79.5	80.3	80.8	
63.5	69.3	69.1	69.1	64.5	59.4	57.2	57.4	59.7	63.5	68.3	71.9	71.9	71.9	
76.2	52.3	52.3	52.3	49.3	46.2	45.2	45.7	48.0	51.6	56.1	59.4	59.7	59.9	
82.6	39.9	39.9	39.9	38.1	37.1	36.6	36.8	38.6	41.9	46.2	50.5	51.1	51.3	
88.9	20.6	20.6	20.6	21.3	22.1	22.9	23.9	25.4	28.2	31.8	34.3	34.5	34.5	
Dimension: Y : 92.7 mm – Head circumference : 520 mm														

<i>Headform E</i>													(Dimensions in millimetres.)	
<i>Height Above Reference Line</i>	0° Front	15°	30°	45°	60°	75°	90°	105°	120°	135°	150°	165°	180° Rear	
0	94.5	93.0	89.7	82.0	76.2	73.2	72.9	75.7	79.8	84.8	90.7	93.7	94.5	
12.7	93.2	91.9	89.7	82.0	76.2	73.2	72.9	75.7	79.8	84.8	90.7	93.7	94.5	
25.4	91.2	90.7	88.9	82.0	76.2	73.2	72.9	75.7	79.8	84.8	90.7	92.7	93.0	
38.1	87.6	87.9	85.9	80.0	74.7	71.6	71.4	74.2	77.7	82.6	88.6	89.2	89.2	
50.8	82.0	82.3	81.0	75.4	70.4	67.8	67.6	70.4	73.9	79.0	83.8	84.3	84.3	
63.5	73.4	73.7	73.4	68.6	64.0	61.5	61.2	63.5	67.1	71.9	76.5	76.5	76.5	
76.2	57.7	57.9	58.2	55.9	52.6	50.5	50.3	52.1	55.1	59.7	64.5	64.8	64.8	
82.6	46.5	46.5	46.5	45.2	43.2	42.4	42.9	44.4	47.5	52.3	56.4	56.9	56.6	
88.9	30.5	30.5	30.7	31.0	31.2	31.2	31.8	33.8	36.8	40.4	43.9	44.2	44.2	
Dimension: Y : 96 mm – Head circumference : 540 mm														

<i>Headform G</i>													(Dimensions in millimetres.)	
<i>Height Above Reference Line</i>	0° Front	15°	30°	45°	60°	75°	90°	105°	120°	135°	150°	165°	180° Rear	
0	97.5	95.8	93.0	85.1	79.5	76.2	75.9	78.5	83.1	88.4	94.0	97.0	97.5	
12.7	96.3	95.3	92.7	85.1	79.5	76.2	75.9	78.5	83.1	88.4	94.0	97.0	97.5	
25.4	93.7	92.7	91.4	85.1	79.5	76.2	75.9	78.5	83.1	88.4	94.0	95.8	96.3	
38.1	90.4	89.7	88.9	83.3	77.7	75.2	74.9	77.0	81.3	86.6	91.7	92.7	93.0	
50.8	86.1	85.6	84.6	79.0	73.7	71.1	70.9	73.2	78.0	82.8	87.1	87.9	88.1	
63.5	77.5	77.2	76.5	72.1	67.3	64.5	64.3	66.5	70.9	75.9	79.0	79.0	80.0	
76.2	63.8	63.8	64.0	61.2	57.4	54.9	54.9	56.9	61.5	66.5	68.8	69.1	69.1	
88.9	39.9	39.6	39.6	39.1	38.4	37.8	38.4	40.4	44.2	49.8	52.8	53.1	53.1	
95.3	20.6	20.6	20.6	21.3	22.4	23.4	23.9	25.4	28.7	33.6	37.8	39.1	39.1	
Dimension: Y : 99.1 mm – Head circumference : 560 mm														

<i>Headform J</i>													(Dimensions in millimetres.)	
<i>Height above reference line</i>	0° Front	15°	30°	45°	60°	75°	90°	105°	120°	135°	150°	165°	180° Rear	
0	100.8	98.8	96.3	88.1	82.0	79.5	79.2	82.0	85.9	91.7	96.8	100.1	100.8	
12.7	99.6	98.0	95.8	88.1	82.0	79.5	79.2	82.0	85.9	91.7	96.8	100.1	100.8	
25.4	96.8	95.8	94.5	88.1	82.0	79.5	79.2	82.0	85.9	91.7	96.5	98.3	98.8	
38.1	93.7	92.7	91.9	86.1	80.0	77.2	77.7	80.0	83.8	89.4	94.5	95.8	96.0	
50.8	89.2	88.6	87.9	82.0	76.2	73.9	74.4	77.0	80.5	85.9	90.4	90.9	90.9	
63.5	81.5	80.8	81.0	75.9	70.6	68.1	68.3	71.1	71.4	79.5	83.8	84.1	84.1	
76.2	69.3	69.1	69.3	65.3	61.2	58.9	59.2	61.7	65.0	69.3	73.2	73.4	73.4	
88.9	47.2	47.5	48.0	46.2	44.4	43.7	44.2	46.2	50.0	54.1	58.2	58.4	58.4	
95.3	32.8	32.8	33.3	32.5	32.0	32.3	33.0	35.1	38.1	42.2	46.5	47.2	47.2	
Dimension: Y : 102.4 mm – Head circumference : 570 mm														

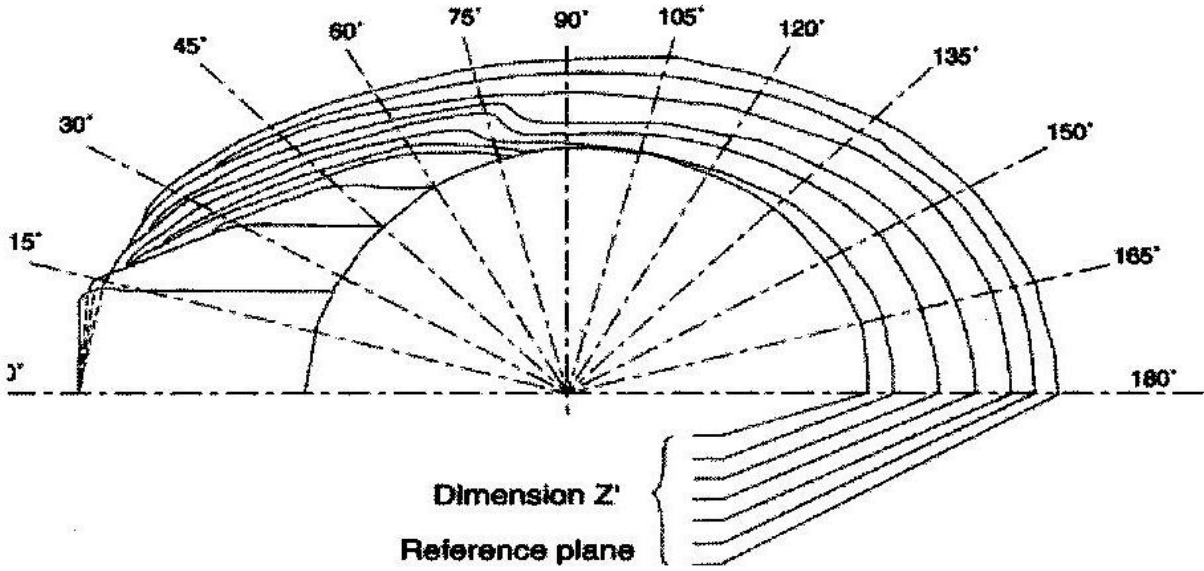
<i>Headform K</i>													(Dimensions in millimetres.)	
<i>Height Above Reference Line</i>	0° Front	15°	30°	45°	60°	75°	90°	105°	120°	135°	150°	165°	180° Rear	
0	102.4	101.1	97.0	89.7	84.1	81.3	80.8	83.3	87.9	92.7	98.3	101.6	102.4	
12.7	101.1	100.1	97.0	89.7	84.1	81.3	80.8	83.3	87.9	92.7	98.3	101.6	102.4	
25.4	98.8	98.3	96.3	89.7	84.1	81.3	80.8	83.3	87.9	92.7	98.3	99.8	100.6	
38.1	95.5	95.2	93.7	87.4	82.0	79.5	79.5	81.5	85.9	90.4	95.5	97.0	97.7	
50.8	90.9	90.4	89.7	83.6	78.5	76.2	76.2	78.5	83.1	87.4	91.9	92.5	93.2	
63.5	83.1	82.8	82.0	77.2	72.1	69.9	70.4	72.4	76.7	80.8	84.6	85.1	85.6	
76.2	71.1	71.1	71.4	68.1	63.8	61.2	61.2	63.0	67.1	71.6	74.9	75.2	75.2	
88.9	51.8	51.8	51.8	50.8	48.5	46.7	47.2	49.3	52.1	56.9	60.7	60.7	60.7	
95.3	37.6	37.3	37.3	37.3	36.8	36.6	37.1	38.9	42.2	47.0	51.1	51.8	51.3	
101.6	18.3	17.8	17.8	18.0	18.5	19.3	20.1	21.8	24.9	29.0	33.8	36.1	36.6	
Dimension: Y : 102.4 mm – Head circumference : 570 mm														

<i>Headform M</i>													(Dimensions in millimetres.)	
<i>Height Above Reference Line</i>	0° Front	15°	30°	45°	60°	75°	90°	105°	120°	135°	150°	165°	180° Rear	
0	105.7	103.9	100.6	92.7	86.9	84.1	83.8	86.4	90.7	96.0	102.1	105.7	105.7	
12.7	104.4	103.4	100.3	92.7	86.9	84.1	83.8	86.4	90.7	96.0	102.1	105.7	105.7	
25.4	102.1	101.6	99.8	92.7	86.9	84.1	83.8	86.4	90.7	96.0	102.1	104.4	104.4	
38.1	99.3	98.8	97.8	90.9	85.3	82.6	82.3	84.6	88.9	94.0	99.8	100.8	101.1	
50.8	95.0	94.7	93.5	86.9	81.3	79.0	78.7	81.0	85.3	90.4	96.0	96.5	96.3	
63.5	87.1	87.1	86.9	80.8	75.4	73.2	73.2	75.4	79.5	84.8	89.4	89.7	89.4	
76.2	75.9	76.2	76.2	71.6	67.1	64.8	64.8	66.5	70.6	75.4	80.0	80.0	79.3	
88.9	58.2	58.2	58.2	56.6	54.6	52.3	52.3	53.8	56.9	61.7	66.8	67.1	66.8	
95.3	45.5	45.7	46.0	46.0	44.5	43.4	43.2	44.5	47.2	52.1	57.7	58.2	57.9	
101.6	26.4	26.2	26.7	27.7	28.7	29.5	30.0	31.2	34.0	38.6	42.7	43.2	42.7	
Dimension: Y : 107.2 mm – Head circumference : 600 mm														

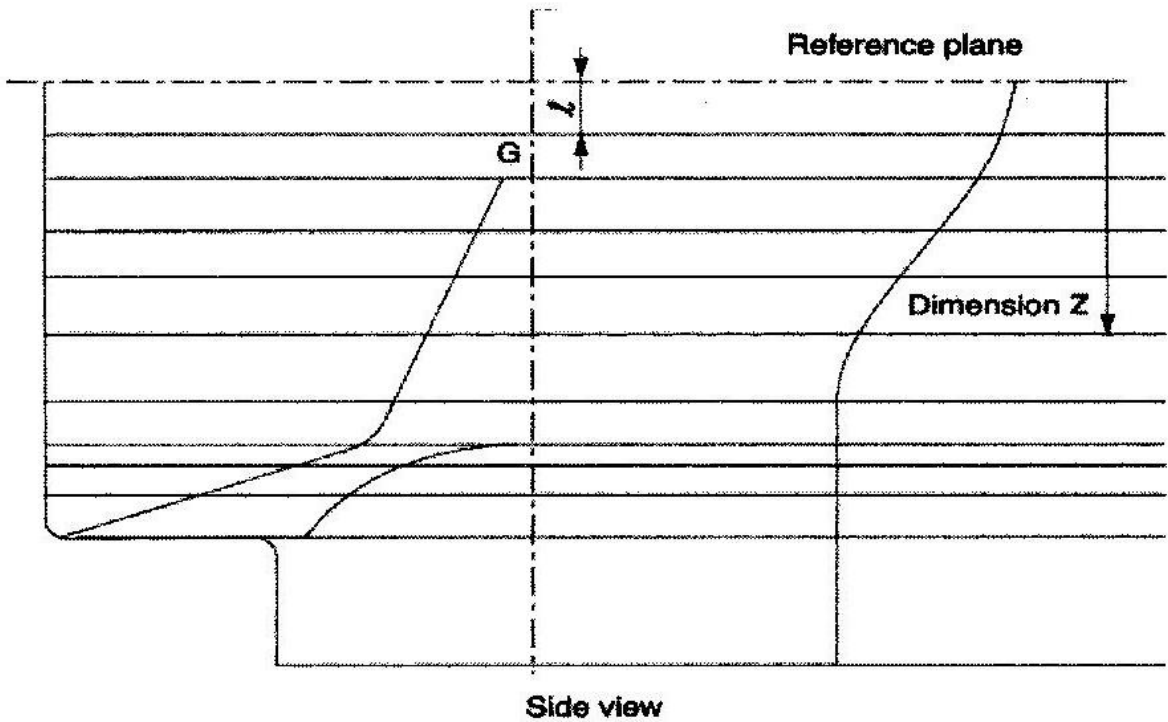
<i>Headform O</i>													(Dimensions in millimetres.)	
<i>Height Above Reference Line</i>	0° Front	15°	30°	45°	60°	75°	90°	105°	120°	135°	150°	165°	180° Rear	
0	108.7	107.4	103.4	95.8	90.4	87.6	87.1	90.2	94.2	99.8	105.4	108.0	108.7	
12.7	107.7	106.4	103.4	95.8	90.4	87.6	87.1	90.2	94.2	99.8	105.4	108.0	108.7	
25.4	105.2	104.4	102.9	95.8	90.4	87.6	87.1	90.2	94.2	99.8	105.4	106.7	106.9	
38.1	102.4	102.1	101.1	94.2	88.9	86.1	85.9	88.9	93.0	98.6	103.4	104.1	104.1	
50.8	97.8	97.5	96.5	90.2	85.1	82.3	82.6	85.3	89.9	94.7	99.6	100.3	100.3	
63.5	91.2	91.2	90.4	84.3	79.2	76.7	77.0	79.8	83.8	88.4	93.0	93.2	93.2	
76.2	81.0	81.3	80.8	76.2	71.6	69.3	69.6	71.9	75.7	80.5	84.6	84.6	84.6	
88.9	64.5	64.5	64.5	61.5	58.4	57.2	57.7	60.2	63.5	68.1	71.9	71.4	71.9	
95.3	54.1	53.8	54.1	52.6	50.3	49.0	49.5	51.6	55.4	60.5	64.3	64.0	64.0	
101.6	37.6	37.6	38.1	38.4	38.1	37.8	38.4	40.4	43.4	48.0	51.3	51.3	51.1	
Dimension: Y : 110.2 mm – Head circumference : 620 mm														

ANNEX-TS-2

REFERENCE HEADFORMS
(Below Reference Plane)

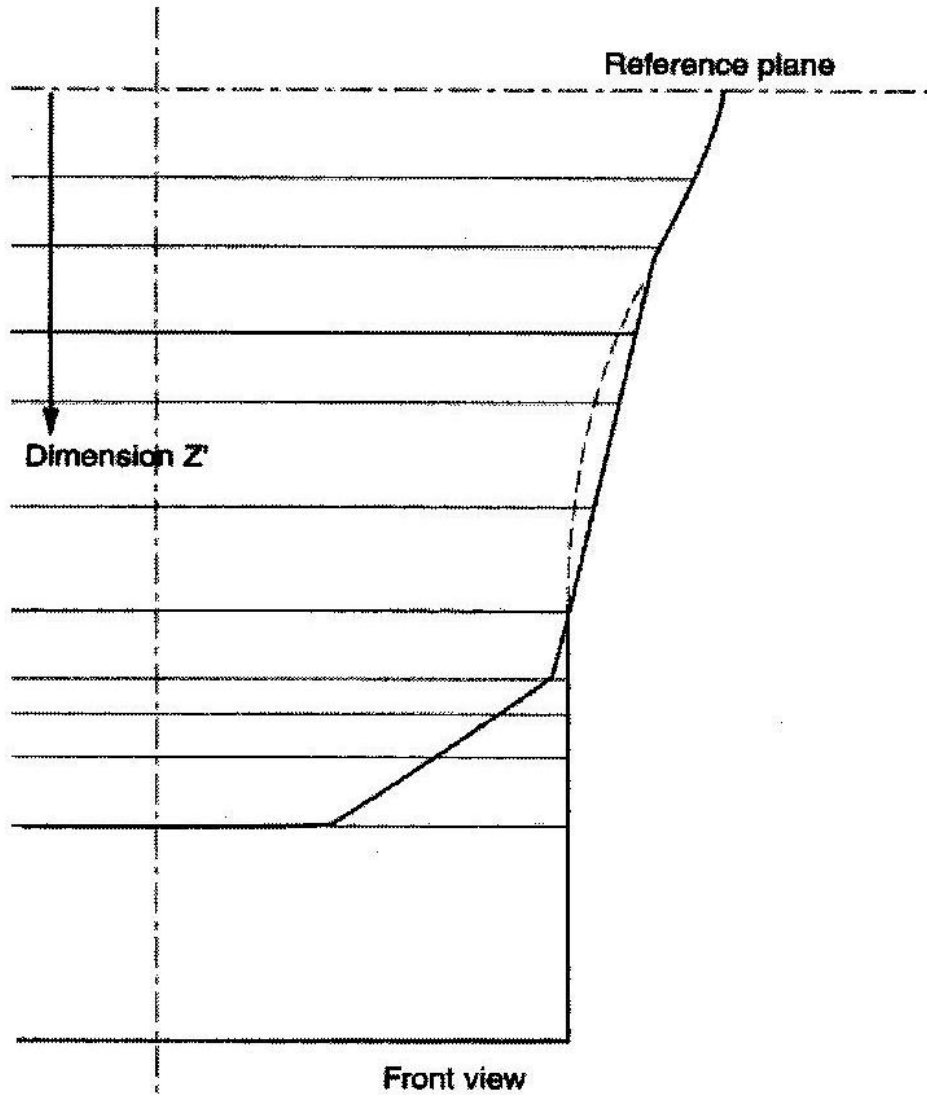


(a)



(b)

FIG. REFERENCE HEADFORMS (Continued)
(SHAPE, DIMENSIONS BELOW REFERENCE PLANE)



(c)

FIG. REFERENCE HEADFORMS
(SHAPE, DIMENSIONS BELOW REFERENCE PLANE)

Dimension Z'	Headform A												
	0°	15°	30°	45°	60°	75°	90°	105°	120°	135°	150°	165°	180° Rear
0	88.0	86.5	83.0	75.5	70.0	67.0	66.5	69.5	73.5	78.5	84.0	87.0	88.0
-11.1	88.0	86.5	82.5	74.5	68.5	66.0	66.0	68.5	72.0	77.0	81.5	84.5	85.0
-19.9	88.0	88.0	82.5	74.0	66.5	63.0	61.5	64.5	67.5	72.5	77.0	80.0	80.5
-30.6	88.0	89.5	81.0	71.5	65.0	62.0	56.0	58.0	61.5	66.5	71.0	73.5	74.0
-39.4	88.0	89.5	79.0	69.0	63.0	60.0	54.0	55.0	58.0	61.5	65.0	67.5	67.0
-52.5	88.0	89.5	77.0	67.0	60.5	54.0	51.5	52.0	53.5	56.5	59.0	60.0	58.5
-65.6	88.0	89.5	75.5	65.0	58.5	52.5	50.5	51.0	51.5	52.5	53.0	54.0	54.5
-74.4	88.0	89.5	73.5	62.5	58.0	51.0	50.5	51.0	51.5	52.5	53.0	54.0	54.5
-78.8	88.0	89.5	71.5	60.5	49.5	50.0	50.5	51.0	51.5	52.5	53.0	54.0	54.5
-84.4	88.0	89.5	69.5	47.5	49.5	50.0	50.5	51.0	51.5	52.5	53.0	54.0	54.5
-92.8	88.0	92.0	47.5	47.5	49.5	50.0	50.5	51.0	51.5	52.5	53.0	54.0	54.5
-119.0	47.0	47.0	47.5	47.5	49.5	50.0	50.5	51.0	51.5	52.5	53.0	54.0	54.5

Dimension l : 11.1 mm – Head circumference : 500 mm

<i>Headform C</i> (Dimensions in millimetres.)													
<i>Dimension Z'</i>	0°	15°	30°	45°	60°	75°	90°	105°	120°	135°	150°	165°	180° Rear
0	91.5	89.5	86.0	79.0	72.5	70.0	69.5	72.5	77.0	82.0	87.5	90.5	91.5
-11.5	91.5	89.5	85.5	77.0	71.0	68.5	68.5	71.0	74.5	80.0	84.5	87.5	88.0
-20.6	91.5	91.0	85.5	76.5	69.0	65.5	64.0	66.5	70.0	75.5	80.0	83.0	83.5
-31.8	91.5	92.5	84.0	74.0	67.0	64.5	58.0	60.5	64.0	69.0	73.5	76.0	76.5
-40.8	91.5	92.5	81.5	71.5	65.5	62.0	56.0	57.0	60.0	64.0	67.5	70.0	69.5
-54.4	91.5	92.5	80.0	69.5	62.5	56.0	53.5	54.0	55.5	58.5	61.0	62.0	61.0
-68.0	91.5	92.5	78.0	67.0	61.0	54.5	52.0	53.0	53.5	54.5	55.0	56.0	56.5
-77.1	91.5	92.5	76.0	65.0	60.0	52.5	52.0	53.0	53.5	54.5	55.0	56.0	56.5
-81.7	91.5	92.5	74.0	62.5	51.0	51.5	52.0	53.0	53.5	54.5	55.0	56.0	56.5
-87.6	91.5	92.5	72.0	49.5	51.0	51.5	52.0	53.0	53.5	54.5	55.0	56.0	56.5
-96.2	91.5	95.5	49.0	49.5	51.0	51.5	52.0	53.0	53.5	54.5	55.0	56.0	56.5
-123.4	48.5	48.5	49.0	49.5	51.0	51.5	52.0	53.0	53.5	54.5	55.0	56.0	56.5

Dimension *l*: 11.5 mm – Head circumference : 520 mm

<i>Headform E</i> (Dimensions in millimetres.)													
<i>Dimension Z'</i>	0°	15°	30°	45°	60°	75°	90°	105°	120°	135°	150°	165°	180° Rear
0	94.5	93.0	90.0	82.0	76.5	73.5	73.0	76.0	80.0	85.0	91.0	94.0	94.5
-11.9	94.5	93.0	88.5	79.5	73.0	70.5	70.5	73.0	77.0	82.5	87.0	90.5	91.0
-21.3	94.5	94.0	88.5	79.0	71.0	67.5	66.0	69.0	72.0	77.5	82.5	85.5	86.0
-32.8	94.5	95.5	86.5	76.5	69.5	66.5	60.0	62.5	66.0	71.0	76.0	78.5	79.0
-42.1	94.5	95.5	84.5	74.0	67.5	64.0	57.5	59.0	62.0	66.0	70.0	72.0	71.5
-56.2	94.5	95.5	82.5	71.5	64.5	57.5	55.5	55.5	57.0	60.5	63.0	64.0	63.0
-70.2	94.5	95.5	80.5	69.5	62.5	56.0	54.0	55.0	55.5	56.0	56.5	57.5	58.0
-79.6	94.5	95.5	78.5	67.0	62.0	54.5	54.0	55.0	55.5	56.0	56.5	57.5	58.0
-84.3	94.5	95.5	76.5	64.5	53.0	53.5	54.0	55.0	55.5	56.0	56.5	57.5	58.0
-90.4	94.5	95.5	74.5	51.0	53.0	53.5	54.0	55.0	55.5	56.0	56.5	57.5	58.0
-99.3	94.5	98.5	50.5	51.0	53.0	53.5	54.0	55.0	55.5	56.0	56.5	57.5	58.0
-127.4	50.0	50.0	50.5	51.0	53.0	53.5	54.0	55.0	55.5	56.0	56.5	57.5	58.0

Dimension *l*: 11.9 mm – Head circumference : 540 mm

<i>Headform G</i> (Dimensions in millimetres.)													
<i>Dimension Z'</i>	0°	15°	30°	45°	60°	75°	90°	105°	120°	135°	150°	165°	180° Rear
0	97.5	95.5	93.0	85.5	79.5	76.0	76.0	78,5	83.0	88.5	94.0	97.0	97.5
-12.3	97.5	95.5	91.5	82.0	75.5	73.0	73.0	75.5	79.0	85.0	90.0	93.0	93.5
-21.9	97.5	97.0	91.5	81.5	73.5	69.5	68.0	71.0	74.5	80.0	85.0	88.5	89.0
-33.8	97.5	98.5	89.5	78.5	71.5	68.5	62.0	64.0	68.0	73.5	78.0	81.0	81.5
-43.5	97.5	98.5	87.0	76.5	69.5	66.0	59.5	61.0	63.5	68.0	72.0	74.5	74.0
-58.0	97.5	98.5	85.0	74.0	66.5	59.5	57.0	57.5	59.0	62.5	65.0	66.0	64.5
-72.4	97.5	98.5	83.0	71.5	64.5	58.0	55.5	56.5	57.0	58.0	58.5	59.5	60.0
-82.1	97.5	98.5	81.0	69.0	63.5	56.0	55.5	56.5	57.0	58.0	58.5	59.5	60.0
-86.9	97.5	98.5	78.5	66.5	54.5	55.0	55.5	56.5	57.0	58.0	58.5	59.5	60.0
-93.2	97.5	98.5	77.0	52.5	54.5	55.0	55.5	56.5	57.0	58.0	58.5	59.5	60.0
-102.4	97.5	101.5	52.0	52.5	54.5	55.0	55.5	56.5	57.0	58.0	58.5	59.5	60.0
-131.4	51.5	51.5	52.0	52.5	54.5	55.0	55.5	56.5	57.0	58.0	58.5	59.5	60.0

Dimension *l*: 12.3 mm – Head circumference : 560 mm

ANNEX-TS-3

POSITIONING OF THE HELMET ON THE HEADFORM

B-1 The helmet is placed on a headform of appropriate size. A load of 50 N is applied on the crown of the helmet in order to adjust the helmet on the headform. It shall be ascertained that the vertical median plane of the helmet coincides with the median vertical plane of the headform.

B-2 The front edge of the helmet is placed against a gauge to check the minimum angle for the upward field of vision. The following points are then checked.

B-2.1 That the line AC and the ACDEF zone are covered by the shell (see Fig. 3)

B-2.2 That the requirements for the minimum downward angle and the horizontal field of vision are satisfied.

B-2.3 Requirements mentioned in 6.2.2 relating to the rear projection shall be met.

B-3 If one of the above conditions is not met, the helmet is moved slightly from front to rear to seek a position where all the requirements are met. Once such a position is determined, a horizontal line is drawn on the shell at the level of the AA' plane. This horizontal line shall determine the reference plane for the positioning of the helmet during the tests.